

Kitchen appliance range - April 2015



Official Appliance Partner
**THE GREAT IRISH
BAKE OFF**

NORDMENDE
SMART LIVING

Visit our state-of-the-art, purpose built, showrooms at the KAL Advisory Centre located just off the Naas Road in Citywest Business Campus. Here you can meet with one of our expert advisors and see the full range of NordMende appliances for yourself.

The showrooms are open Monday to Friday 9.00am to 5.00pm by appointment (closed between 1-2pm for lunch).

KAL

4078 Kingswood Road, Citywest Business Campus, Dublin 24
Ring 01 413 6416 to make an appointment.



There's a name for smart living.

NordMende. Our history of home appliance technology innovation.

For over seven decades, NordMende has been helping our customers to live the smart life - with technologies that are truly ground-breaking and testimony to our commitment, quality and excellence.

Combining great technology with our German engineering heritage, we've always looked to deliver the levels of quality and reliability that you've come to expect - at prices that represent real value for money. We know that you demand appliances that make life easier for you – and that put you firmly in control. You also demand products that are kind on the pocket in terms of running costs, and kind to the environment too.

Now imagine all of this coupled with one of the best appliance warranties on the market. Add in cutting edge design and finish and it's clear to see why more and more people just like you, are making themselves at home with NordMende.

Radio H. Mende & Co was founded in 1923 by Otto Hermann Mende in Dresden (Germany). After 1947, his son Martin Mende changed the name to NordMende and built the brand we know today. The company went on to become one of the most prominent German manufacturers of radios, televisions, tape recorders and record players. In parallel with its electronic entertainment products, the brand also offered a complete range of household appliances.

NORDMENDE



Take your share of perfection.

We make living as enjoyable and simple as you want.

At NordMende, we don't believe in technology for the sake of technology. Although it's not a perfect world, we can help make it a little more perfect for you so that you can get on with life - while the chores of everyday living take care of themselves. Whether it's washing machines that are seriously up to speed, fridges that are cool as you like, or cookers that speak to the perfectionist in you, we've got the technology to make it happen.

Contents

08	Ovens	13	Hoods
08	Microwaves	15	Refrigeration
09	Cookers	25	Dishwashers
11	Hobs	27	Laundry



Cooking

Cook up Perfection.

Our Oven features explained.



These streamlined electronic controls are stylish and easy to use. The seamless design also means that keeping your appliance clean is as simple as ever.



Basting and stirring those heavier dishes is no longer an issue with these extending, sliding rails. The telescopic rails enable a safe and easy way to access your dish.



NordMende products are fully guaranteed for 2 years from date of purchase. If you register your product online within 30 days of purchase you'll receive an additional 1 year.



Makes cleaning your oven effortless by heating the oven to a temperature of 500°C, turning all deposits into ash which can be swept away.



Rough surface liners on the inner walls of your oven which absorb any potential food spills, which are burnt off during normal cooking making your oven walls easier to keep clean.



Useful information about how energy efficient your appliance is based on the product's energy consumption. Energy ratings are useful when comparing various models of the same product. An 'A' rated oven is the most efficient and cheapest to run.



Our fan system guarantees a more even distribution of cooking heat. This means quicker cooking times and better results.



This safety feature allows you to lock the buttons on the control panel so that children cannot accidentally change the setting of your appliance when it's on.



Our turbo fan system operates with the fan oven and the grill on simultaneously. This function is ideal for cooking meat or poultry with a rotisserie result and can reduce cooking times by 30%.



A simple to use start/stop programmer that will cook perfect recipes for your family's enjoyment.

Our Oven functions explained.



Fanned Oven Heat
 The fan function is used to evenly disperse the heat in an oven. All foods on all racks will be cooked evenly. This function is ideal for cooking multiple dishes.



Grill & Fan
 Creates a fast circulation of heat and is ideal for large grills, quick browning and sealing juices in. When grilling, the oven door must be closed and the oven temperature should be adjusted to 190°C.



Upper & Lower Heat
 Heat is diffused by natural convection from the upper and lower heating elements only. Recommended for foods which require the same cooking temperature both internally and externally e.g. Roasts and Pastries.



Grill
 This cooking method is normal grilling which directs heat downwards onto the food. Suitable for grilling medium or large portions of sausages, bacon, steaks, fish, etc.



Lower Heat
 This cooking setting is used for more focused heat and control in your oven. It is an ideal method for pizza bases and pastry cases where you need a crispy underside, bain marie or casseroles.



Defrost
 The fan runs without heat to reduce the defrosting time of frozen foods. The time required to defrost the food will depend on the room temperature, the quantity and type of food. Always check food packaging for instructions.



Grill & Lower Heat
 The combination of grill with the lower heating element is a good option for pies, quiches and crisping pizzas.



Oven Light
 The oven light will automatically come on in your oven while it is on and it will remain alight while any of the functions are in use.

Please check individual models for particular features and refer to product manual for particular instructions.

OVENS & COOKERS



BUILT IN SINGLE OVEN

- Fan Oven with Grill
- 58 Litre Capacity
- Easy to Clean Enamel
- 4 Programmes
- Mechanical Timer
- Double Glazed Door
- Black Glass
- A Energy Rating
- 3 Year Warranty

RRP: €304*
Code: S0203BL



BUILT IN SINGLE OVEN

- Fan Oven with Grill
- 58 Litre Capacity
- Easy to Clean Enamel
- 4 Programmes
- Mechanical Timer
- Double Glazed Door
- Black Glass & Stainless Steel
- A Energy Rating
- 3 Year Warranty

RRP: €304*
Code: S0203IX



BUILT IN SINGLE OVEN

- Multifunction Oven
- 56 Litre Capacity
- Catalytic Liners
- 8 Programmes
- Digital Clock & Easy Programmer
- Double Glazed Door
- Black Glass
- A Energy Rating
- 3 Year Warranty

RRP: €384*
Code: S0313BL



BUILT IN SINGLE OVEN

- Multifunction Oven
- 56 Litre Capacity
- Catalytic Liners
- 8 Programmes
- Digital Clock & Easy Programmer
- Double Glazed Door
- Black Glass & Stainless Steel
- A Energy Rating
- 3 Year Warranty

RRP: €404*
Code: S0313IX



BUILT IN SINGLE OVEN

- Multifunction Oven
- 56 Litre Capacity
- Easy to Clean Enamel
- 8 Programmes
- Digital Clock & Easy Programmer
- Electronic Touch Control
- Double Glazed Door
- Child Lock • Boost Option
- Black Glass & St/Steel or Mirror
- A Energy Rating • 3 Year Warranty

ST/STEEL: €449* MIRROR: €449*
Code: SOT213IX Code: SOT213MR



BUILT IN SINGLE OVEN

- Multifunction Oven
- 56 Litre Capacity
- Catalytic Liners
- 8 Programmes
- Digital Clock & Easy Programmer
- Electronic Touch Controls
- Triple Glazed Door • Child Lock
- Telescopic Rails • Boost Option
- Black Glass & Stainless Steel
- A Energy Rating • 3 Year Warranty

RRP: €479*
Code: SOT423IX



SINGLE PYROLYTIC OVEN

- Multifunction Oven
- 56 Litre Capacity
- Pyrolytic Cleaning
- 8 Programmes
- Digital Clock & Easy Programmer
- Electronic Touch Controls
- Quadruple Glazed Door
- Child Lock • Boost Option
- Black Glass & Stainless Steel
- A Energy Rating • 3 Year Warranty

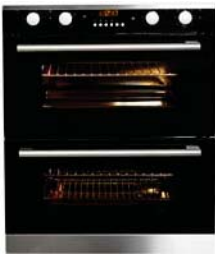
RRP: €554*
Code: SOPT523IX



BUILT IN DOUBLE OVEN

- Main Oven: Multifunction
- Main Oven Capacity: 57 Litres
- Top Oven: Conventional & Grill
- Top Oven Capacity: 33 Litres
- Catalytic Liners in Both Ovens
- Digital Clock & Easy Programmer
- Black Glass or Black Glass & St/Steel
- A Energy Rating
- 3 Year Warranty

BLACK: €604* ST/STEEL: €604*
Code: DOI313BL Code: DOI313IX



BUILT UNDER DOUBLE OVEN

- Main Oven: Multifunction
- Main Oven Capacity: 42 Litres
- Top Oven: Conventional & Grill
- Top Oven Capacity: 33 Litres
- Catalytic Liners in Both Ovens
- Digital Clock & Easy Programmer
- Black Glass or Black Glass & St/Steel
- A Energy Rating
- 3 Year Warranty

BLACK: €604* ST/STEEL: €604*
Code: DOU313BL Code: DOU313IX



BUILT IN MICROWAVE

- 800w Microwave - 5 Power Levels
- 1000w Grill
- 2 Combination Cooking Settings
- 8 Automatic Programmes
- 20 Litre Capacity
- Defrost by Weight or Time
- Digital Clock & Easy Programmer
- Child Lock • Kit Included
- Gloss Black
- 1 Year Warranty

RRP: €199
Code: NM823BBL



BUILT IN MICROWAVE

- 800w Microwave - 5 Power Levels
- 1000w Grill
- 2 Combination Cooking Settings
- 8 Automatic Programmes
- 20 Litre Capacity
- Defrost by Weight or Time
- Digital Clock & Easy Programmer
- Child Lock • Kit Included
- Stainless Steel
- 1 Year Warranty

RRP: €199
Code: NM823BIX



45CM BUILT IN COMBI MICROWAVE

- 900w Microwave - 5 Power Levels
- 1750w Grill
- 4 Combination Cooking Options
- 13 Automatic Programmes
- 44 Litre Capacity
- Quick Preheat Setting
- 2 Defrost Settings • Child Lock
- Digital Clock & Easy Programmer
- Black Glass & Stainless Steel
- 1 Year Warranty

RRP: €469
Code: NM451IX



50CM ELECTRIC COOKER

- Electric Single Cavity
- Conventional Oven & Grill
- Oven Capacity: 53 Litres
- 4 Solid Plates - 2 Rapid Heat
- Easy to Clean Enamel
- Mechanical Timer
- Grill Pan and Handle
- White
- A Energy Rating
- 3 Year Warranty

RRP: €254*
 Code: CSE50WH



50CM LPG GAS COOKER

- LPG Gas Single Cavity
- Oven Capacity: 53 Litres
- 4 Gas Burners
- Button Ignition
- Enamel Pan Supports
- Easy to Clean Enamel
- Mechanical Timer
- Grill Pan and Handle
- White
- 3 Year Warranty

RRP: €319
 Code: CSG50LPGWH



50CM NATURAL GAS COOKER

- Natural Gas Twin Cavity
- Main Oven Capacity: 36 Litres
- Top Cavity Capacity: 19 Litres
- 4 Gas Burners
- Button Ignition
- Enamel Pan Supports
- Easy to Clean Enamel
- Mechanical Timer
- Grill Pan and Handle
- 3 Year Warranty

RRP: €389
 Code: CTG50WH



50CM LPG GAS COOKER

- LPG Gas Twin Cavity
- Main Oven Capacity: 36 Litres
- Top Cavity Capacity: 19 Litres
- 4 Gas Burners
- Button Ignition
- Enamel Pan Supports
- Easy to Clean Enamel
- Mechanical Timer
- Grill Pan and Handle
- 3 Year Warranty

WHITE: €389 BLACK: €399
 Code: CTG50LPGWH Code: CTG50LPGBK



50CM ELECTRIC COOKER

- Electric Twin Cavity
- Fan in Main Oven
- Main Oven Capacity: 48 Litres
- Top Cavity Capacity: 30 Litres
- Ceramic Hob - 4 Zones
- Residual Heat Indicators
- Easy to Clean Enamel
- Mechanical Timer
- Grill Pan and Handle
- A Energy Rating • 3 Year Warranty

WHITE: €434* BLACK: €454*
 Code: CTEC50WH Code: CTEC50BK



60CM ELECTRIC COOKER

- Electric Single Cavity
- Conventional Oven & Grill
- Oven Capacity: 61 Litres
- 4 Solid Plates - 2 Rapid Heat
- Easy to Clean Enamel
- Mechanical Timer
- Grill Pan and Handle
- White
- A Energy Rating
- 3 Year Warranty

RRP: €304*
 Code: CSE60WH



60CM NATURAL / LPG GAS COOKER

- Natural Gas /LPG Single Cavity
- Oven Capacity: 62 Litres
- 4 Gas Burners
- Button Ignition
- Enamel Pan Supports
- Easy to Clean Enamel
- Mechanical Timer
- Grill Pan and Handle
- White
- 3 Year Warranty

NAT. GAS: €329 LPG: €329
 Code: CSG60WH Code: CSG60LPGWH



60CM LPG GAS COOKER

- LPG Gas Twin Cavity
- Main Oven Capacity: 41 Litres
- Top Cavity Capacity: 22 Litres
- 4 Gas Burners
- Button Ignition
- Enamel Pan Supports
- Easy to Clean Enamel
- Mechanical Timer
- Grill Pan and Handle
- 3 Year Warranty

WHITE: €399 BLACK: €429
 Code: CTG60LPGWH Code: CTG60LPGBK



60CM NATURAL GAS COOKER

- Natural Gas Twin Cavity
- Main Oven Capacity: 41 Litres
- Top Cavity Capacity: 22 Litres
- 4 Gas Burners
- Button Ignition
- Enamel Pan Supports
- Easy to Clean Enamel
- Mechanical Timer
- Grill Pan and Handle
- 3 Year Warranty

RRP: €429
 Code: CTG60BK



60CM ELECTRIC COOKER

- Electric Twin Cavity
- Fan in Main Oven
- Main Oven Capacity: 56 Litres
- Top Cavity Capacity: 35 Litres
- Ceramic Hob - 4 Zones
- Residual Heat Indicators
- Easy to Clean Enamel
- Mechanical Timer
- Grill Pan and Handle
- A Energy Rating • 3 Year Warranty

WHITE: €454* BLACK: €474*
 Code: CTEC60WH Code: CTEC60BK



60CM ELECTRIC DOUBLE OVEN

- Main Oven: Fan
- Main Oven Capacity: 63 Litres
- Top Oven: Conventional & Grill
- Top Oven Capacity: 36 Litres
- Ceramic Hob - 4 Zones
- Residual Heat Indicators
- Easy to Clean Enamel
- Mechanical Timer
- Grill Pan and Handle
- A Energy Rating • 3 Year Warranty

RRP: €499*
 Code: CDEC60BK



90CM DUAL FUEL RANGE COOKER

- Electric 100L Single Cavity
- 5 Gas Burners Incl. Wok
- Catalytic Liners
- Telescopic Rails
- Cast Iron Pan Supports
- Mechanical Timer
- Storage Shelf
- 8 Functions
- Stainless Steel • A Energy Rating
- 3 Year Warranty

RRP: €754*
 Code: CSG90IX

HOBS



Our features explained.



Our NordMende cast iron supports are designed to be robust and durable. They position the pan at optimum height above the flame ensuring the even distribution of heat while cooking.



NordMende electric ignition hobs use electric sparks to ignite the surface burners. This is the “clicking sound” audible just before the burner actually lights. Once the gas burner lights, the knob is turned further to modulate the flame size.



For additional safety NordMende gas hobs are fitted with a flame safety device that automatically halts the supply of gas if the flame goes out for any reason.



These streamlined electronic controls are stylish and easy to use. The seamless design also means that keeping your appliance clean is as simple as ever.



This safety feature allows you to lock the buttons on the control panel so that children cannot accidentally change the setting of your appliance when it's on.



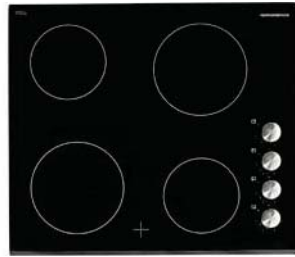
NordMende products are fully guaranteed for 2 years from date of purchase. If you register your product online within 30 days of purchase you'll receive an additional 1 year.



60CM SOLID PLATE ELECTRIC HOB

- 2 Rapid Plates
- 2 X 1.5Kw
- 1 X 2Kw Plates
- 1 X 1Kw Plates
- Side Controls
- Stainless Steel or Black
- 3 Year Warranty

BLACK: €149 ST/STEEL: €149
 Code: HE62BL Code: HE62IX



60CM CERAMIC HOB

- 4 Cooking Zones
- Residual Heat Indicators
- Stainless Steel Side Controls
- Frameless Design
- Front Bevelled Edge
- Black Glass
- 3 Year Warranty

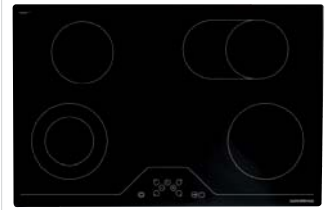
RRP: €249
 Code: HC603FL



60CM CERAMIC HOB

- 4 Cooking Zones
- Residual Heat Indicators
- Electronic Touch Controls
- Frameless Design
- Front Bevelled Edge
- Child Lock
- Black Glass
- 3 Year Warranty

RRP: €279
 Code: HCT62FL



78CM CERAMIC HOB

- 4 Cooking Zones
- 1 Dual & 1 Extendable
- Residual Heat Indicators
- Electronic Touch Controls
- Frameless Design
- Front Bevelled Edge
- Electronic Timer
- Child Lock
- Black Glass
- 3 Year Warranty

RRP: €379
 Code: HCT781FL



60CM / 78CM INDUCTION HOB

- 4 Induction Zones
- Residual Heat Indicators
- Electronic Touch Controls
- Automatic Pot Detection
- Frameless Design
- Front Bevelled Edge
- Boost Function
- Child Lock • Pause Function
- Black Glass
- 3 Year Warranty

60cm: €379 78cm: €519
 Code: HCI61FL Code: HCI79FL



90CM INDUCTION HOB

- 5 Induction Zones
- Residual Heat Indicators
- Electronic Touch Controls
- Automatic Pot Detection
- Frameless Design
- Electronic Timer
- Boost Function
- Child Lock • Pause Function
- Black Glass
- 3 Year Warranty

RRP: €729
 Code: HCI90FL



60CM GAS HOB

- 4 Burners
- Cast Iron Pan Supports
- Flame Failure Safety Device
- Stainless Steel Side Controls
- Auto Ignition
- Gas Conversion Kit
- Stainless Steel or Black
- 3 Year Warranty

BLACK: €199 ST/STEEL: €199
 Code: HG603BL Code: HG603IX



60CM GAS HOB

- 4 Burners
- Cast Iron Pan Supports
- Flame Failure Safety Device
- Stainless Steel Side Controls
- Plus X Design
- Auto Ignition
- Gas Conversion Kit
- Stainless Steel
- 3 Year Warranty

RRP: €229
 Code: HGX603IX



60CM BLACK GLASS GAS HOB

- 4 Burners Including Wok Burner
- Cast Iron Pan Supports
- Flame Failure Safety Device
- Stainless Steel Front Controls
- Plus X Design
- Auto Ignition
- Gas Conversion Kit
- Black Glass
- 3 Year Warranty

RRP: €269
 Code: HGX603BGL



60CM MIRROR EFFECT GAS HOB

- 4 Burners Including Wok Burner
- Cast Iron Pan Supports
- Flame Failure Safety Device
- Stainless Steel Side Controls
- Auto Ignition
- Gas Conversion Kit
- Mirror Glass
- 3 Year Warranty

RRP: €299
 Code: HGW603MR



70CM GAS HOB

- 5 Burners Including Wok Burner
- Cast Iron Pan Supports
- Flame Failure Safety Device
- Front Controls
- Auto Ignition
- Gas Conversion Kit
- Black or Stainless Steel
- 3 Year Warranty

BLACK: €319 ST/STEEL: €319
 Code: HGW701BL Code: HGW703IX



70CM BLACK GLASS GAS HOB

- 5 Burners Including Wok Burner
- Cast Iron Pan Supports
- Flame Failure Safety Device
- Stainless Steel Front Controls
- Plus X Design
- Auto Ignition
- Gas Conversion Kit
- Black Glass
- 3 Year Warranty

RRP: €349
 Code: HGX703BGL

EXTRACTOR HOODS



Our features explained.



HEAD SAVER DESIGN

The ergonomics and compact size of Head Saver products gives you more room to move when cooking.



SMART EXTRACTION

Airflow concentrates around the hood's external perimeter. This cuts energy consumption and reduces noise levels.



NordMende products are fully guaranteed for 2 years from date of purchase. If you register your product online within 30 days of purchase you'll receive an additional 1 year.



AMBIENT LIGHT

Lighting is a distinctive and defining element designed to enhance every NordMende extractor appliance.



EASY CLEAN FILTERS

Our easy clean grease filters are manufactured from long life aluminium and can be cleaned in your dishwasher.



ELECTRONIC TOUCH CONTROL

These streamlined electronic controls are stylish and easy to use. The seamless design also means that keeping your appliance clean is as simple as ever.



TIME DELAY

Our time delay auto shut-off function is useful when you would like the air filtering to continue but can't wait to switch off the appliance.



60CM INTEGRATED COOKER HOOD

- Extraction: 220m3/hr / 500m3/hr
- Max Noise Level: 57dB / 66dB
- 3 Power Settings
- 2 x 28w Halo Bulbs
- Slider Controls
- Duct size 4-5"
- Single or Twin Motor
- For Extraction or Recirculation*
- Easy Clean Grease Filter
- Metallic Grey • 3 Year Warranty

1 MOTOR: €99 2 MOTOR: €149
 Code: CHINT1M Code: CHINT3M



60 & 90CM CHIMNEY HOOD

- Extraction 400m3/hr
- Max Noise Level: 60dB
- 3 Power Settings
- 2 x 28w Halogen Lights
- Push Button Controls
- Duct size 5-6"
- For Extraction or Recirculation*
- 2 / 3 Easy Clean Grease Filters
- Stainless Steel
- 3 Year Warranty

60CM: €149 90CM: €199
 Code: CHCMY603IX Code: CHCMY903IX



60 & 90CM BOX DESIGN HOOD

- Extraction 400m3/hr
- Max Noise Level: 62dB
- 3 Power Settings
- 2 x 20w Halogen Lights
- Push Button Controls
- Duct size 5-6"
- For Extraction or Recirculation*
- 2 / 3 Easy Clean Grease Filters
- Stainless Steel & Black Glass
- 3 Year Warranty

60CM: €229 90CM: €259
 Code: CHBD603IX Code: CHBD903IX



60 & 90CM FLAT GLASS HOOD

- Extraction 400m3/hr
- Max Noise Level: 62dB
- 3 Power Settings
- 2 x 20w Halogen Lights
- Push Button Controls
- Duct size 5-6"
- For Extraction or Recirculation*
- 1 Easy Clean Grease Filter
- Stainless Steel & Glass
- 3 Year Warranty

60CM: €229 90CM: €259
 Code: CHFGLS603IX Code: CHFGLS903IX



60 & 90CM CURVED GLASS HOOD

- Extraction 400m3/hr
- Max Noise Level: 62dB
- 3 Power Settings
- 2 x 20w Halogen Lights
- Push Button Controls
- Duct size 5-6"
- For Extraction or Recirculation*
- 1 Easy Clean Grease Filter
- Stainless Steel & Glass
- 3 Year Warranty

60CM: €359 90CM: €399
 Code: CHGLS603IX Code: CHGLS903IX



60 & 90CM BOX DESIGN HOOD

- Extraction 720m3/hr
- Max Noise Level: 69dB
- 4 Power Settings
- 2 x 20w Halogen Lights
- Electronic Touch Controls
- Duct size 5-6" • Time Delay
- For Extraction or Recirculation*
- 2 / 3 Easy Clean Grease Filters
- Stainless Steel & Black Glass
- 3 Year Warranty

60CM: €579 90CM: €599
 Code: CHTC603IX Code: CHTC903IX



55CM ANGLED DESIGNER HOOD

- Extraction 450m3/hr
- Max Noise Level: 66dB
- 3 Power Settings
- 2 x 20w Halogen Lights
- Soft Touch Backlight Controls
- Duct size 5-6"
- For Extraction** or Recirculation
- 1 Easy Clean Grease Filter
- Head Saver Design
- Stainless Steel • 3 Year Warranty

RRP: €329
 Code: CHIX553



80CM ANGLED DESIGNER HOOD

- Extraction 450m3/hr
- Max Noise Level: 66dB
- 3 Power Settings
- 2 x 20w Halogen Lights
- Soft Touch Backlight Controls
- Duct size 5-6"
- For Extraction** or Recirculation
- 2 Easy Clean Grease Filters
- Head Saver Design
- Stainless Steel • 3 Year Warranty

RRP: €369
 Code: CHIX803



55CM BLACK GLASS DESIGNER HOOD

- Extraction 450m3/hr
- Max Noise Level: 66dB
- 3 Power Settings
- 2 x 20w Halogen Lights
- Soft Touch Backlight Controls
- Duct size 5-6"
- For Extraction** or Recirculation
- 1 Easy Clean Grease Filter
- Head Saver Design
- Black Glass • 3 Year Warranty

RRP: €399
 Code: CHBGL553



80CM BLACK GLASS DESIGNER HOOD

- Extraction 450m3/hr
- Max Noise Level: 66dB
- 3 Power Settings
- 2 x 20w Halogen Lights
- Soft Touch Backlight Controls
- Duct size 5-6"
- For Extraction** or Recirculation
- 2 Easy Clean Grease Filters
- Head Saver Design
- Black Glass • 3 Year Warranty

RRP: €429
 Code: CHBGL803



55CM BLACK GLASS DESIGNER HOOD

- Extraction 730m3/hr
- Max Noise Level: 67dB
- 3 Power Settings
- 2 x 20w Halogen Lights
- Soft Touch Backlight Controls
- Duct Size 5-6" • Smart Extraction
- For Extraction** or Recirculation
- 2 Easy Clean Grease Filters
- Black Glass & St/Steel • Head Saver Design • 3 Year Warranty

RRP: €699
 Code: CHDBGL553



80CM BLACK GLASS DESIGNER HOOD

- Extraction 730m3/hr
- Max Noise Level: 67dB
- 3 Power Settings
- 2 x 20w Halogen Lights
- Soft Touch Backlight Controls
- Duct Size 5-6" • Smart Extraction
- For Extraction** or Recirculation
- 2 Easy Clean Grease Filters
- Black Glass & St/Steel • Head Saver Design • 3 Year Warranty

RRP: €699
 Code: CHDBGL803

* Recirculation Requires Carbon Filter. **Extraction Requires Chimney Kit. See Page 32 for Details.
 All prices include VAT. E&OE.



Refrigeration

The ultimate in cool.

NordMende Refrigerators take the heat out of running costs.

Fresh. Clean. Brilliance. All words that have been used to describe the NordMende range of refrigeration products.

There's a superb range to choose from, with a huge choice of different configurations available. For under the worktop, our 60cm fridge and freezers are the perfect solution, while our tall combi fridge/freezers let you choose between a 70/30, 60/40 or 50/50 split. Or if you've got a sizeable family, you might choose to opt for a tall full fridge and tall full freezer. And for added convenience, these models are also available in a handy FROST FREE version. Whichever A+ energy-efficient NordMende product you select, you can be confident that these impressive cooling products will maximise the shelf life of your food, while keeping energy usage to a minimum.

Our features explained.



Evaporator coils in the freezer slightly adjust the temperature periodically to stop frost from forming.



Air is continually circulated around the fridge freezer preventing water vapour from building up and freezing so you never have to manually defrost your appliance.



For safety purposes we only use specially treated tempered glass tested to hold 20kg in weight with 40 kg for shelves above vegetable drawers.



Useful information about how energy efficient your appliance is based on the product's energy and/or water consumption. Energy ratings are useful when comparing various models of the same product. A+++ is the most efficient and cheapest to run.



NordMende products are fully guaranteed for 2 years from date of purchase. If you register your product online within 30 days of purchase you'll receive an additional 1 year.

Please check individual models for particular features.

FREESTANDING REFRIGERATION

48CM

Closed View



48CM UNDER COUNTER FRIDGE

- Net Fridge Capacity: 73 Litres
- 2* Freezer Box: 8 Litres
- Auto Defrost Fridge
- Safety Glass Shelves
- Reversible Door
- Recessed Handles
- Annual Energy Cons. 127kWh
- 41dB Max Noise Level
- White • A+ Energy Rating
- 3 Year Warranty
- H84 x W48 x D56cm

RRP: €184*
Code: RUI111NMWHA+



48CM UNDER COUNTER FRIDGE

- Net Fridge Capacity: 82 Litres
- Auto Defrost Fridge
- Safety Glass Shelves
- Reversible Door
- Recessed Handles
- Annual Energy Cons. 118kWh
- 41dB Max Noise Level
- White
- A+ Energy Rating
- 3 Year Warranty
- H84 x W48 x D56cm

RRP: €184*
Code: RUL121NMWHA+



48CM UNDER COUNTER FREEZER

- Net Freezer Capacity: 62 Litres
- Quick Freeze Compartments
- Opaque Freezer Drawers
- Reversible Door
- Recessed Handles
- Annual Energy Cons. 176kWh
- 39dB Max Noise Level
- White
- A+ Energy Rating
- 3 Year Warranty
- H84 x W48 x D56cm

RRP: €204*
Code: RUF116NMWHA+

55CM

Closed View



UNDER COUNTER FRIDGE

- Net Fridge Capacity: 105 Litres
- 4* Freezer Box: 12 Litres
- Auto Defrost Fridge
- Safety Glass Shelves
- Reversible Door
- Recessed Handles
- Annual Energy Cons. 178kWh
- 41dB Max Noise Level
- White • A+ Energy Rating
- 3 Year Warranty
- H84 x W54 x D60cm

RRP: €204*
Code: RUI142WHA+



UNDER COUNTER FRIDGE

- Net Fridge Capacity: 106 Litres
- Auto Defrost Fridge
- Safety Glass Shelves
- Reversible Door
- Recessed Handles
- Annual Energy Cons. 121kWh
- 41dB Max Noise Level
- White
- A+ Energy Rating
- 3 Year Warranty
- H84 x W54 x D60cm

RRP: €204*
Code: RUL152WHA+



UNDER COUNTER FREEZER

- Net Freezer Capacity: 75 Litres
- Quick Freeze Compartments
- Opaque Freezer Drawers
- Reversible Door
- Recessed Handles
- Annual Energy Cons. 184kWh
- 39dB Max Noise Level
- White
- A+ Energy Rating
- 3 Year Warranty
- H84 x W54 x D62cm

RRP: €204*
Code: RUF147WHA+

NordMende smart cooling technology.

Safety Glass Shelves

For safety purposes we only use specially treated tempered glass tested to hold 20kg in weight with 40kg for shelves over vegetable drawers.

Reversible Doors

All NordMende refrigerator doors can be opened from the left or right with a simple adjustment.

Quick Freeze Compartments

NordMende Quick Freeze Compartments rapidly chill newly introduced food. Ideal for freshly bought items.

Freezer Door Indicator

The red indicator on the door handle warns the user when the freezer door is left open.

Removable Door Racks

Our door racks can be repositioned to provide additional space for bottles and packages of various heights.

Transparent Drawers

Easily see what's cooling in your NordMende fridge with our super strong transparent drawers.

Spill Proof Shelves

The easy to clean glass shelves have lipped edges that prevent any spillages from dripping down onto the shelves below.



55CM TALL LARDER FRIDGE

- Net Fridge Capacity: 250 Litres
- Auto Defrost Fridge
- Safety Glass Shelves
- Reversible Door
- Recessed Handles
- Annual Energy Cons. 127kWh
- 42dB Max Noise Level • White
- A+ Energy Rating
- 3 Year Warranty
- H144 x W54 x D60cm

RRP: €304*
 Code: RTL266WHA+



55CM TALL FREEZER

- Net Freezer Capacity: 186 Litres
- Quick Freeze Compartments
- Opaque Freezer Drawers
- Reversible Door
- Recessed Handles
- Annual Energy Cons. 252kWh
- 43dB Max Noise Level • White
- A+ Energy Rating
- 3 Year Warranty
- H144 x W54 x D60cm

RRP: €304*
 Code: RTF246WHA+



60CM TALL LARDER FRIDGE

- Net Fridge Capacity: 349 Litres
- Auto Defrost Fridge
- Safety Glass Shelves
- Reversible Door • Recessed Handle
- Annual Energy Cons. 150kWh
- 40dB Max Noise Level • White
- A+ Energy Rating • 3 Year Warranty
- H185 x W60 x D63cm
- Combine with freezer using NMJOINSTRIPTALLWH - €24.99

RRP: €454*
 Code: RTL396WHA+



60CM TALL FREEZER

- Net Freezer Capacity: 251 Litres
- 7 Freezer Compartments
- Electronic Controls
- Reversible Door • Recessed Handle
- Annual Energy Cons. 307kWh
- 44dB Max Noise Level • White
- A+ Energy Rating • 3 Year Warranty
- H185 x W60 x D64cm
- Combine with fridge using NMJOINSTRIPTALLWH - €24.99

RRP: €554*
 Code: RTF392NFVHA+



60CM TALL LARDER FRIDGE

- Net Fridge Capacity: 349 Litres
- Auto Defrost Fridge
- Safety Glass Shelves
- Reversible Door • Silver Handle
- Annual Energy Cons. 150kWh
- 40dB Max Noise Level • St/Steel
- A+ Energy Rating • 3 Year Warranty
- H185 x W60 x D63cm
- Combine with freezer using NMJOINSTRIPTALLIX - €34.99

RRP: €554*
 Code: RTL396IXA+



60CM TALL FREEZER

- Net Freezer Capacity: 251 Litres
- 7 Freezer Compartments
- Electronic Controls
- Reversible Door • Silver Handle
- Annual Energy Cons. 307kWh
- 44dB Max Noise Level • St/Steel
- A+ Energy Rating • 3 Year Warranty
- H185 x W60 x D64cm
- Combine with fridge using NMJOINSTRIPTALLIX - €34.99

RRP: €654*
 Code: RTF392NFIXA+



FRENCH DOOR FRIDGE FREEZER

- Net Fridge Capacity: 362 Lt.
- Net Freezer Capacity: 167 Lt.
- Auto Defrost Fridge
- Frost Free Freezer
- Annual Energy Cons. 461kWh
- 45dB Max Noise Level
- Telescopic Rails • Flexi Zone
- Electronic Touch Controls
- LED Lighting • Stainless Steel
- A+ Energy Rating • 3 Year Warranty
- H185 x W91 x D76.3cm

RRP: €1,399*
 Code: RFA90IX

*Included in this price is a contribution to the recycling costs of €5.00 or €10.00 where applicable.
 All prices include VAT. E&OE.

FREESTANDING REFRIGERATION



FREESTANDING FRIDGE FREEZER

- Net Fridge Capacity: 187 Litres
- Net Freezer Capacity: 40 Litres
- Auto Defrost Fridge
- Safety Glass Shelves
- Reversible Doors
- Recessed Handles
- Annual Energy Cons. 226kWh
- 41dB Max Noise Level
- A+ Energy Rating
- 3 Year Warranty
- H144 x W54 x D60cm

WHITE: €284* SILVER: €324*
Code: RFF263WHA+ Code: RFF263SLA+



FREESTANDING FRIDGE FREEZER

- Net Fridge Capacity: 172 Litres
- Net Freezer Capacity: 67 Litres
- Auto Defrost Fridge
- Safety Glass Shelves
- Reversible Doors
- Recessed Handles
- Annual Energy Cons. 230kWh
- 41dB Max Noise Level
- A+ Energy Rating
- 3 Year Warranty
- H170 x W54 x D61cm

WHITE: €304* SILVER: €324*
Code: RFF6040WHA+ Code: RFF6040SLA+



FREESTANDING FRIDGE FREEZER

- Net Fridge Capacity: 172 Litres
- Net Freezer Capacity: 67 Litres
- Auto Defrost Fridge
- Safety Glass Shelves
- Reversible Doors
- Recessed Handles
- Annual Energy Cons. 230kWh
- 41dB Max Noise Level
- A+ Energy Rating
- 3 Year Warranty
- H170 x W54 x D61cm

BLACK: €334* ST/STEEL: €384*
Code: RFF6040BLA+ Code: RFF6040IXA+



FREESTANDING FRIDGE FREEZER

- Net Fridge Capacity: 147 Lt.
- Net Freezer Capacity: 67 Lt.
- Auto Defrost Fridge
- Frost Free Freezer
- Safety Glass Shelves
- Reversible Doors
- Recessed Handles
- Annual Energy Cons. 231kWh
- 43dB Max Noise Level
- A+ Energy Rating • 3 Year Warranty
- H170 x W54 x D61cm

WHITE: €404* SILVER: €434*
Code: RFF313NFWHA+ Code: RFF313NFSLA+



FREESTANDING FRIDGE FREEZER

- Net Fridge Capacity: 188 Litres
- Net Freezer Capacity: 91 Litres
- Auto Defrost Fridge
- Safety Glass Shelves
- Reversible Doors
- Recessed Handles
- Annual Energy Cons. 264kWh
- 43dB Max Noise Level
- A+ Energy Rating
- 3 Year Warranty
- H170 x W60 x D60cm

WHITE: €424* SILVER: €454*
Code: RFF332WHA+ Code: RFF332SLA+



FREESTANDING FRIDGE FREEZER

- Net Fridge Capacity: 231 Lt.
- Net Freezer Capacity: 87 Lt.
- Auto Defrost Fridge
- Frost Free Freezer
- Safety Glass Shelves
- Reversible Doors
- Recessed Handles
- Annual Energy Cons. 305kWh
- 45dB Max Noise Level
- A+ Energy Rating • 3 Year Warranty
- H185 x W60 x D63cm

WHITE: €474* SILVER: €504*
Code: RFF368NFWHA+ Code: RFF368NFSLA+

INTEGRATED REFRIGERATION



BUILT UNDER LARDER FRIDGE

- Net Fridge Capacity: 133 Lt.
- Auto Defrost Fridge
- Safety Glass Shelves
- 1 Vegetable Crisper
- Mechanical Temperature Control
- Annual Energy Cons. 121kWh
- 44dB Max Noise Level
- A+ Energy Rating
- 3 Year Warranty
- H81.8 x W59.5 x D54.8cm

RRP: €324*
Code: RIUL141NMA+



BUILT UNDER FREEZER

- Net Freezer Capacity: 95 Lt.
- Quick Freeze Compartment
- 3 Freezer Compartments
- 4* Rated Freezer
- Mechanical Temperature Control
- Annual Energy Cons. 187kWh
- 44dB Max Noise Level
- A+ Energy Rating
- 3 Year Warranty
- H81.8 x W59.5 x D54.8cm

RRP: €374*
Code: RIUF101NMA+



50:50 INTEGRATED FRIDGE FREEZER

- Net Fridge Capacity: 154Lt.
- Net Freezer Capacity: 90Lt.
- Auto Defrost Fridge
- Safety Glass Shelves
- Reversible Doors • Wine Rack
- Anti Bacterial Protection
- Annual Energy Cons. 274kWh
- 41dB Max Noise Level
- A+ Energy Rating
- 3 Year Warranty
- H177.6 x W54 x D54cm

RRP: €504*

Code: RIFF50501NMA+



70:30 INTEGRATED FRIDGE FREEZER

- Net Fridge Capacity: 189Lt.
- Net Freezer Capacity: 75Lt.
- Auto Defrost Fridge
- Safety Glass Shelves
- Reversible Doors
- Quick Freeze Compartment
- Annual Energy Cons. 275kWh
- 41dB Max Noise Level
- A+ Energy Rating
- 3 Year Warranty
- H177 x W54 x D54.5cm

RRP: €504*

Code: RIFF70301NMA+



50:50 INTEGRATED FRIDGE FREEZER

- Net Fridge Capacity: 154 Lt.
- Net Freezer Capacity: 78 Lt.
- Auto Defrost Fridge
- Frost Free Freezer
- Safety Glass Shelves
- Reversible Doors • Wine Rack
- Anti Bacterial Protection
- Annual Energy Cons. 278kWh
- 41dB Max Noise Level
- A+ Energy Rating • 3 Year Warranty
- H177.6 x W54 x D54cm

RRP: €574*

Code: RIFF5050NF



70:30 INTEGRATED FRIDGE FREEZER

- Net Fridge Capacity: 190Lt.
- Net Freezer Capacity: 56 Lt.
- Auto Defrost Fridge
- Frost Free Freezer
- Safety Glass Shelves
- Reversible Doors • Wine Rack
- Anti Bacterial Protection
- Annual Energy Cons. 270kWh
- 41dB Max Noise Level
- A+ Energy Rating • 3 Year Warranty
- H177 x W54 x D54.5cm

RRP: €574*

Code: RIFF7030NF



INTEGRATED LARDER FRIDGE

- Net Fridge Capacity: 204 Lt.
- 4 Adjustable Safety Glass Shelves
- 2 Vegetable Drawers
- Reversible Door
- Annual Energy Cons. 126kWh
- 39dB Max Noise Level
- A+ Energy Rating
- 3 Year Warranty
- H122.5 x W54 x D54.5cm

RRP: €454*

Code: RIL1232A+



INTEGRATED FRIDGE WITH ICE BOX

- Net Fridge Capacity: 175 Lt.
- 4* Freezer Box: 17 Lt.
- 3 Adjustable Safety Glass Shelves
- 2 Vegetable Drawers
- Reversible Door
- Annual Energy Cons. 209kWh
- 42dB Max Noise Level
- A+ Energy Rating
- 3 Year Warranty
- H122.5 x W54 x D54.5cm

RRP: €454*

Code: RII1232A+



INTEGRATED TALL LARDER FRIDGE

- Net Fridge Capacity: 316 Lt.
- 6 Adjustable Safety Glass Shelves
- 2 Vegetable Drawers
- Reversible Door
- Annual Energy Cons. 175kWh
- 39dB Max Noise Level
- A+ Energy Rating
- 3 Year Warranty
- H177 x W54 x D54cm

RRP: €554*

Code: RITL395A+



INTEGRATED TALL FREEZER

- Net Freezer Capacity: 226 Lt.
- 9 Freezer Compartments
- Opaque Freezer Drawers
- Reversible Door
- Annual Energy Cons. 361kWh
- 39dB Max Noise Level
- A+ Energy Rating
- 3 Year Warranty
- H177 x W54 x D54cm

RRP: €604*

Code: RITF391A+

*Included in this price is a contribution to the recycling costs of €5.00 or €10.00 where applicable.
 All prices include VAT. E&OE.

Cool as you like.



RETRO FREESTANDING F/FREEZER – Two Door, Net Fridge Capacity: 241 Lt, Freezer Capacity: 70 Lt, Auto Defrost Fridge, Top Mount Freezer, A+ Energy Rating.

The intelligent choice for smart living.

There's so much more to the NordMende Retro Fridge than meets the eye, like an A+ energy rating, and advanced NordMende technology, designed to keep temperatures low and running costs even lower. Plus it comes with a 3 year warranty covering parts and labour. So, as well as being very cool, the NordMende Retro Fridge is also very smart.

WWW.NORDMENDE.IE

OFFICIAL APPLIANCE PARTNER OF
**THE GREAT IRISH
BAKE OFF**


NORDMENDE
SMART LIVING



RETRO FREESTANDING FRIDGE

- Net Fridge Capacity: 281 Lt.
- Net Freezer Capacity: 30 Lt.
- Single Door
- Auto Defrost Fridge
- 4* Freezer Box
- Annual Energy Cons. 275kWh
- 43dB Max Noise Level
- Gloss Cream with Chrome Trim
- A+ Energy Rating • 3 Year Warranty
- H177 x W60.5 x D63.5cm

RRP: €704*
 Code: RET341CA+



RETRO FREESTANDING FRIDGE

- Net Fridge Capacity: 281 Lt.
- Net Freezer Capacity: 30 Lt.
- Single Door
- Auto Defrost Fridge
- 4* Freezer Box
- Annual Energy Cons. 275kWh
- 43dB Max Noise Level
- Gloss Red • A+ Energy Rating
- 3 Year Warranty
- H177 x W60.5 x D63.5cm

RRP: €704*
 Code: RET340R



RETRO FREESTANDING FRIDGE

- Net Fridge Capacity: 281 Lt.
- Net Freezer Capacity: 30 Lt.
- Single Door
- Auto Defrost Fridge
- 4* Freezer Box
- Annual Energy Cons. 275kWh
- 43dB Max Noise Level
- Gloss Black • A+ Energy Rating
- 3 Year Warranty
- H177 x W60.5 x D63.5cm

RRP: €704*
 Code: RET340BL



RETRO FREESTANDING F/FREEZER

- Net Fridge Capacity: 241 Lt.
- Net Freezer Capacity: 70 Lt.
- Two Door
- Auto Defrost Fridge
- Top Mount Freezer
- Annual Energy Cons. 267kWh
- 42dB Max Noise Level
- Gloss Cream with Chrome Trim
- A+ Energy Rating • 3 Year Warranty
- H175 x W60.5 x D63.5cm

RRP: €654*
 Code: RET346CA+



RETRO FREESTANDING F/FREEZER

- Net Fridge Capacity: 241 Lt.
- Net Freezer Capacity: 70 Lt.
- Two Door
- Auto Defrost Fridge
- Top Mount Freezer
- Annual Energy Cons. 280kWh
- 42dB Max Noise Level
- Gloss Red • A+ Energy Rating
- 3 Year Warranty
- H175 x W60.5 x D63.5cm

RRP: €704*
 Code: RET345R



RETRO FREESTANDING F/FREEZER

- Net Fridge Capacity: 241 Lt.
- Net Freezer Capacity: 70 Lt.
- Two Door
- Auto Defrost Fridge
- Top Mount Freezer
- Annual Energy Cons. 280kWh
- 42dB Max Noise Level
- Gloss Black • A+ Energy Rating
- 3 Year Warranty
- H175 x W60.5 x D63.5cm

RRP: €704*
 Code: RET345BL



RETRO FREESTANDING F/FREEZER

- Net Fridge Capacity: 231 Lt.
- Net Freezer Capacity: 87 Lt.
- Two Door
- Auto Defrost Fridge
- Frost Free Freezer
- Annual Energy Cons. 305kWh
- 45dB Max Noise Level
- Gloss Cream with Chrome Trim
- A+ Energy Rating • 3 Year Warranty
- H190 x W60.5 x D67cm

RRP: €804*
 Code: RETNF367CA+



RETRO FREESTANDING F/FREEZER

- Net Fridge Capacity: 231 Lt.
- Net Freezer Capacity: 87 Lt.
- Two Door
- Auto Defrost Fridge
- Frost Free Freezer
- Annual Energy Cons. 320kWh
- 45dB Max Noise Level
- Gloss Black • A+ Energy Rating
- 3 Year Warranty
- H190 x W60.5 x D67cm

RRP: €804*
 Code: RETNF366BL

*Included in this price is a contribution to the recycling costs of €5.00 or €10.00 where applicable.
 All prices include VAT. E&OE.



Cleaning

Delicate or Intense.

Our Dishwashing Features Explained:



THIRD RACK
 Wash more by using the removable upper cutlery basket. The third rack is designed to let you fit and wash more in your dishwasher using the same energy consumption as before.



DELICATE WASH
 Choose the delicate wash setting on your dishwasher and relax with the reassurance that this setting will treat your delicate glassware with extra care.



AQUA CONTROL
 A function aimed to prevent floods. This water safety system will automatically cut off the water supply to the dishwasher in case of leaks.



TIME DELAY
 Save money by setting your wash to come on at night when electricity costs are lower. The time delay option allows you to delay the wash from 1 to 23 hours.



OVERFLOW PROTECTION
 Detects potential problems with the water supply and automatically drains the water in the event of a problem.



INTENSE WASH
 Wash away the most stubborn stains with our intense wash setting.



HALF LOAD
 NordMende's eco-friendly technology saves energy and reduces water consumption while still ensuring a top class performance when you select the half load option.



A+ RATED
 Useful information about how energy efficient your appliance is based on the product's energy and/or water consumption. Energy ratings are useful when comparing various models of the same product. A+++ is the most efficient and cheapest to run.



SUPER SILENT
 Our super silent appliances operate as low as 39dB - that's a little lower than a whisper.



CHILD LOCK
 This safety feature allows you to lock the buttons on the control panel so that children cannot accidentally change the setting of your appliance when it's on.

Our Laundry Features Explained:



ECO LOGIC HALF LOAD
 Reduce energy and water consumption and save the environment as well as your bank balance with the eco logic half-load detection system. If there is half or less the amount of laundry in the drum the machine will adjust the run time accordingly saving time, water and energy.



CHILD LOCK
 This safety feature allows you to lock the buttons on the control panel so that children cannot accidentally change the setting of your appliance when it's on.



OVERFLOW PROTECTION
 Detects potential problems with the water supply and automatically drains the water in the event of a problem.



WASH & GO
 With the NordMende Rapid 15 programme you can wash your slightly stained, cotton, coloured and flax textile within only 15 minutes.



3D LOAD SENSOR
 In case of unevenly distributed laundry, our 3D Load Sensor redistributes the load inside the drum and adjusts the spin speed to achieve optimum spinning efficiency.



A+ RATED
 Useful information about how energy efficient your appliance is based on the product's energy and/or water consumption. Energy ratings are useful when comparing various models of the same product. A+++ is the most efficient and cheapest to run.



TIME DELAY
 Save money by setting your wash to come at night when electricity is lower. The time delay option allows you to delay the wash from 1 to 23 hours.

Polished Performer



DISHWASHER – 10 Programmes, 14 Place Settings, Eco Programme - 5.5 Litre Water Consumption, Auto Door Technology, A+++(-20%)AA Rating. Code: DWLD631IX

The intelligent choice for smart living.

Amongst dishwashers, one name sparkles like no other, NordMende. Clever design features include an extra tray at the top, for safely washing cutlery. And, thanks to our advanced technology, you get an LCD display, 10 programmes, innovative Auto Door and Water Box features, A+++(-20%)AA energy rating and, of course, brilliantly clean dishes. Add in the reassurance of a full, 3 year parts and labour warranty, and you'll see why NordMende shines.

WWW.NORDMENDE.IE



NORDMENDE
SMART LIVING

FREESTANDING DISHWASHERS



45CM FREESTANDING DISHWASHER

- 4 Programmes
- 10 Place Settings
- Max Noise Level: 49dB
- 13 Litre Water Consumption
- Adjustable Top Basket
- Foldable Racks (Bottom Basket)
- Overflow & Leakage Protection
- Rinse Aid & Salt Indicators
- White • AAB Rated
- 3 Year Warranty

RRP: €304*
 Code: DW46WH



60CM FREESTANDING DISHWASHER

- 4 Programmes
- 12 Place Settings
- Max Noise Level: 49dB
- 12 Litre Water Consumption
- Adjustable Top Basket
- Overflow & Leakage Protection
- Half Load Option
- Rinse Aid & Salt Indicators
- White • A+AB Rated
- 3 Year Warranty

RRP: €304*
 Code: DW63WH



60CM FREESTANDING DISHWASHER

- 4 Programmes
- 12 Place Settings
- Max Noise Level: 49dB
- 12 Litre Water Consumption
- Adjustable Top Basket
- Overflow & Leakage Protection
- Half Load Option
- Rinse Aid & Salt Indicators
- Black or Silver • A+AB Rated
- 3 Year Warranty

BLACK: €324* SILVER: €324*
 Code: DW63BL Code: DW63SL



60CM FREESTANDING DISHWASHER

- 10 Programmes • 15 Place Settings
- Extra Silent Noise Level: 39dB
- 9 Litre Water Consumption
- 3rd Level Cutlery Rack
- Adjustable Top Basket
- Foldable Racks (Top & Bottom)
- Overflow & Leakage Protection
- Half Load Option • Time Delay
- LCD Display • Child Lock • White
- A+++AA Rated • 3 Year Warranty

RRP: €474*
 Code: DWSN62WH



STAINLESS STEEL: €504*
 Code: DWLD631IX

60CM FREESTANDING DISHWASHER

- 10 Programmes - 3 Auto Sensor
- 14 Place Settings
- Max Noise Level: 44dB
- 5.5 Litre Eco Water Programme
- 3rd Level Cutlery Rack
- Adjustable Top Basket
- Foldable Racks (Top & Bottom)

- Overflow & Leakage Protection
- Extra Hygiene Function
- Multi Tablet Option
- Extra Fast Function
- Extra Silent Function
- Extra Drying Function
- Rinse Aid & Salt Indicators

- Half Load Option
- Time Delay
- LCD Display
- Child Lock
- Stainless Steel
- A+++(-20%)AA Rated
- 3 Year Warranty

TECHNOLOGIES FOR SMART LIVING



Auto Door technology automatically opens the door of the dishwasher during the drying process, releasing the hot air from the dishwasher and significantly reducing the energy needed to dry the dishes to 0.67kWh - Less than a daily used 100 W bulb.



The Water Box stores the rinse water used in the last clean cycle of the previous wash, filters it to remove any particles and then uses it as the prewash cycle cleaning water for the next wash. This reduces the water needed in your next wash to only 5.5 litres.

BUILT-IN DISHWASHERS



45CM INTEGRATED DISHWASHER

- 6 Programmes
- 10 Place Settings
- Max Noise Level: 49dB
- 13 Litre Water Consumption
- Adjustable Top Basket
- Foldable Racks (Top & Bottom)
- Overflow & Leakage Protection
- Half Load Option • Time Delay
- Rinse Aid & Salt Indicators
- AAA Rated • 3 Year Warranty

RRP: €404*
 Code: DFSN451



60CM INTEGRATED DISHWASHER

- 4 Programmes
- 12 Place Settings
- Max Noise Level: 49dB
- 12 Litre Water Consumption
- Adjustable Top Basket
- Foldable Racks (Top & Bottom)
- Overflow & Leakage Protection
- Rinse Aid & Salt Indicators
- A+AB Rated
- 3 Year Warranty

RRP: €404*
 Code: DF60



60CM SEMI INTEGRATED DISHWASHER

- 5 Programmes • 12 Place Settings
- Max Noise Level: 47dB
- 9 Litre Water Consumption
- Adjustable Top Basket
- Foldable Racks (Top & Bottom)
- Overflow & Leakage Protection
- Half Load & Prewash Options
- Time Delay • Child Lock
- Rinse Aid & Salt Indicators
- A+AA Rated • 3 Year Warranty

ST/STEEL: €474* BLACK: €474*
 Code: DSSN60IX Code: DSSN60BL



60CM INTEGRATED DISHWASHER

- 8 Programmes • 15 Place Settings
- Max Noise Level: 47db
- 9 Litre Water Consumption
- 3rd Level Cutlery Rack
- Adjustable Top Basket
- Foldable Racks (Bottom Basket)
- Overflow & Leakage Protection
- Half Load & Prewash Options
- Time Delay • Multi Tablet Option
- A+++AA Rated • 3 Year Warranty

RRP: €504*
 Code: DFSN63

*Included in this price is a contribution to the recycling costs of €5.00 or €10.00 where applicable.
 All prices include VAT. E&OE.

Up to speed.



7KG WASHING MACHINE – 7kg Capacity, Max Spin Speed 1200rpm, 15 Programmes, Eco Logic System, A++ Energy Rating.

The intelligent choice for smart living.

You get so much more with a NordMende washing machine, like an A+ energy rating and our latest Eco-Logic technology - designed to save water and detergent. With drum capacities of up to 9kg, you'll fit in everything you want, while the child safety lock keeps everything else out. Our 3 year warranty covers both parts and labour.

So take one for a spin. You'll very quickly see why NordMende is the smarter choice

WWW.NORDMENDE.IE

OFFICIAL APPLIANCE PARTNER OF
**THE GREAT IRISH
BAKE OFF**

NORDMENDE
SMART LIVING



5KG WASHING MACHINE

- 5kg Capacity
- Max Spin Speed 1000rpm
- 15 Programmes
- 58dB Washing & 77dB Spinning
- 42 Litre Water Consumption
- Eco-Logic System
- Cold Wash & No Spin Options
- Child Lock • White
- A+ Energy Rating
- 3 Year Warranty

RRP: €264*

Code: WM1002WH



5KG WASHING MACHINE

- 5kg Capacity
- Max Spin Speed 1000rpm
- 15 Programmes
- 58dB Washing & 77dB Spinning
- 42 Litre Water Consumption
- Eco-Logic System
- Cold Wash & No Spin Options
- Child Lock • Silver
- A+ Energy Rating
- 3 Year Warranty

RRP: €284*

Code: WM1002SL

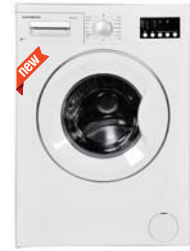


6KG WASHING MACHINE

- 6kg Capacity
- Max Spin Speed 1000rpm
- 15 Programmes
- 58dB Washing & 77dB Spinning
- 45 Litre Water Consumption
- Eco-Logic System • LED Display
- Easy Iron & Extra Rinse Options
- Time Delay • Child Lock
- White • A++ Energy Rating
- 3 Year Warranty

RRP: €284*

Code: WM1064WH



6KG WASHING MACHINE

- 6kg Capacity
- Max Spin Speed 1200rpm
- 15 Programmes
- 58dB Washing & 78dB Spinning
- 45 Litre Water Consumption
- Eco-Logic System • LED Display
- Easy Iron & Extra Rinse Options
- Time Delay • Child Lock
- White • A++ Energy Rating
- 3 Year Warranty

RRP: €304*

Code: WM1264WH



6KG WASHING MACHINE

- 6kg Capacity
- Max Spin Speed 1200rpm
- 23 Programmes
- 58dB Washing & 79dB Spinning
- 48 Litre Water Consumption
- Eco-Logic System • Variable Spin
- Easy Iron & Extra Rinse Options
- Rinse Hold Option • Child Lock
- Silver • A+ Energy Rating
- 3 Year Warranty

RRP: €344*

Code: WM1201SL



7KG WASHING MACHINE

- 7kg Capacity
- Max Spin Speed 1200rpm
- 15 Programmes
- 58dB Washing & 78dB Spinning
- 47 Litre Water Consumption
- Eco-Logic System • LED Display
- Variable Spin & Temperature
- Time Delay, Easy Iron, Child Lock
- White • A++ Energy Rating
- 3 Year Warranty

RRP: €334*

Code: WM1275WH



7KG WASHING MACHINE

- 7kg Capacity
- Max Spin Speed 1200rpm
- 15 Programmes
- 58dB Washing & 78dB Spinning
- 47 Litre Water Consumption
- Eco-Logic System • LED Display
- Variable Spin & Temperature
- Time Delay, Easy Iron, Child Lock
- Black • A++ Energy Rating
- 3 Year Warranty

RRP: €374*

Code: WM1275BL



9KG WASHING MACHINE

- 9kg Capacity
- Max Spin Speed 1200rpm
- 15 Programmes
- 58dB Washing & 78dB Spinning
- 58 Litre Water Consumption
- Eco-Logic System • LED Display
- Variable Spin & Temperature
- Time Delay, Easy Iron, Child Lock
- White • A++ Energy Rating
- 3 Year Warranty

RRP: €404*

Code: WM1295WH



7 / 5KG WASHER DRYER

- 7kg Wash & 5kg Dry Capacity
- Max Spin Speed 1200rpm
- 15 Programmes • 58dB Washing, 76dB Spinning, 66dB Drying
- 108 Litre Water Consumption
- Eco-Logic System • LED Display
- Variable Spin, Temperature & Drying Level • Time Delay
- Child Lock • White • BA Rated
- 3 Year Warranty

RRP: €504*

Code: WD1275WH



7 / 5KG WASHER DRYER

- 7kg Wash & 5kg Dry Capacity
- Max Spin Speed 1200rpm
- 15 Programmes • 58dB Washing, 76dB Spinning, 66dB Drying
- 108 Litre Water Consumption
- Eco-Logic System • LED Display
- Variable Spin, Temperature & Drying Level • Time Delay
- Child Lock • Silver • BA Rated
- 3 Year Warranty

RRP: €554*

Code: WD1275SL

PRODUCT DIMENSIONS

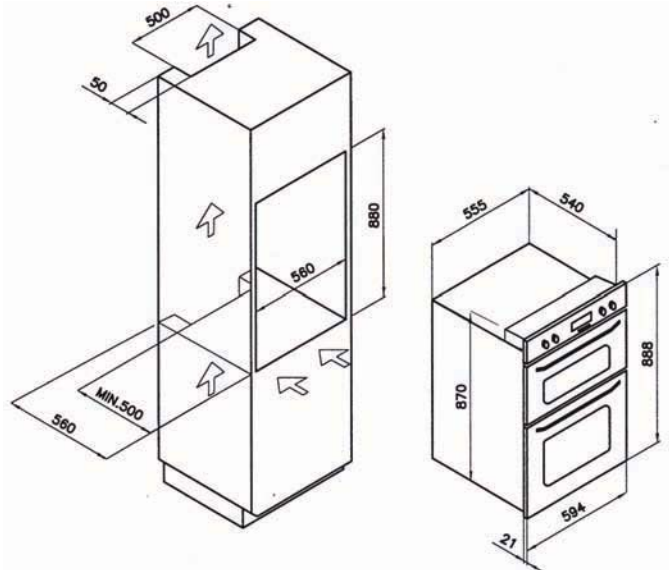
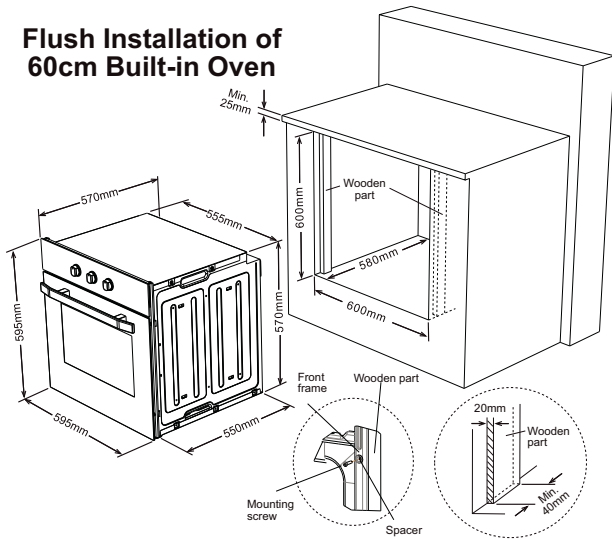


COOK

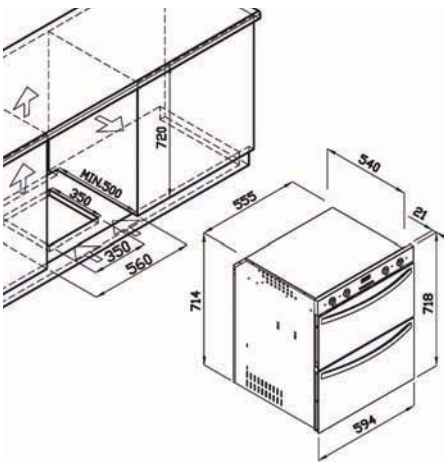
S0203 / S0313 / SOT213 / SOT423 / SOPT523

DOI313

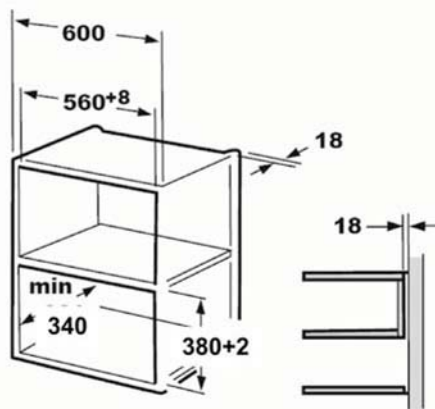
Flush Installation of 60cm Built-in Oven



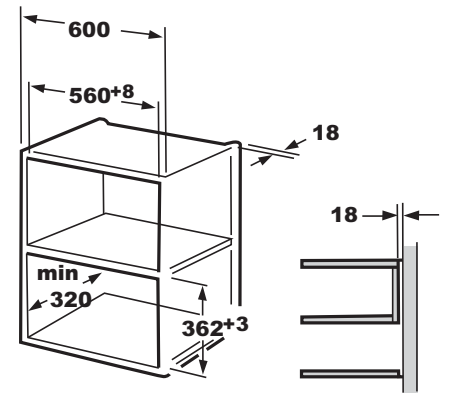
DOU313



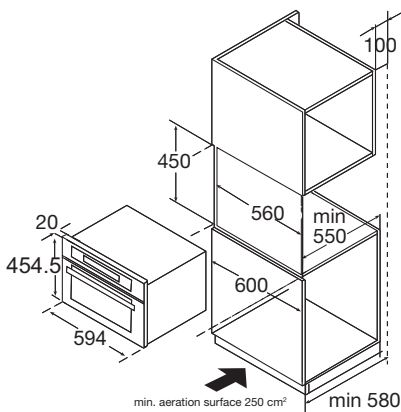
NM823BBL



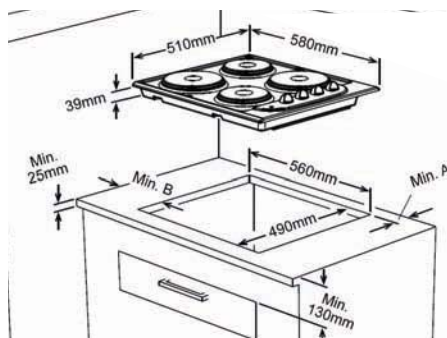
NM823BIX



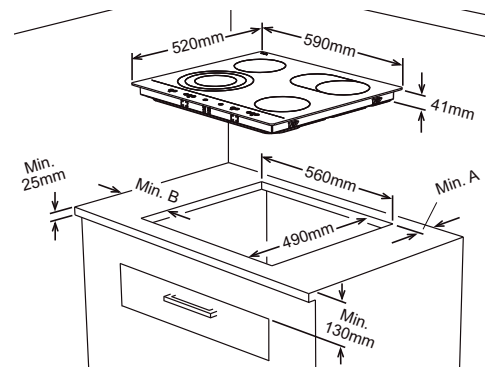
NM451



HE62



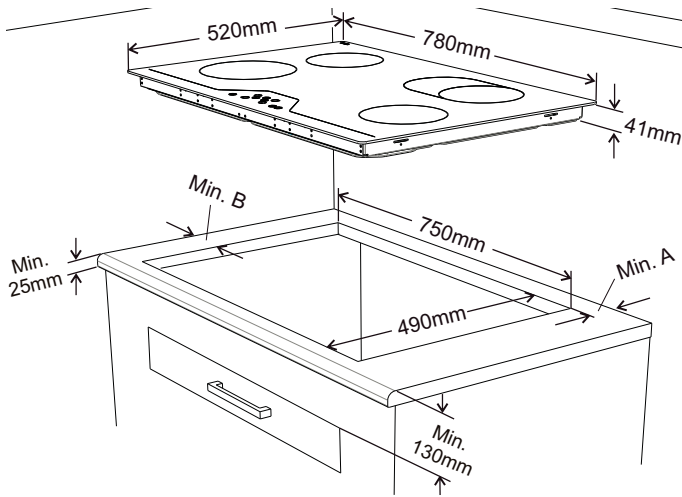
HC603FL / HCT62FL



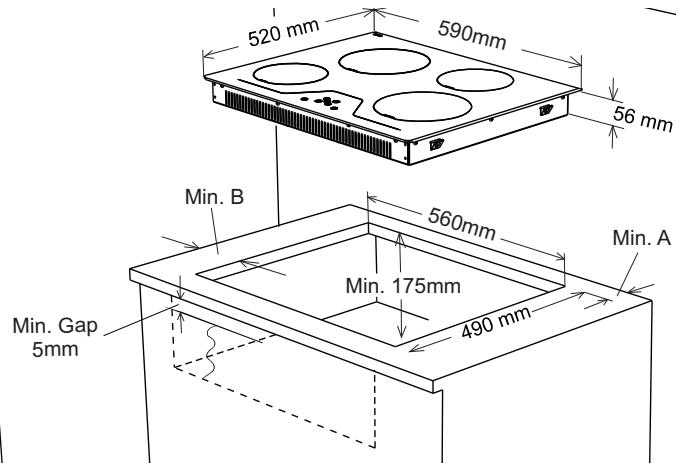
DIMENSIONS

COOK

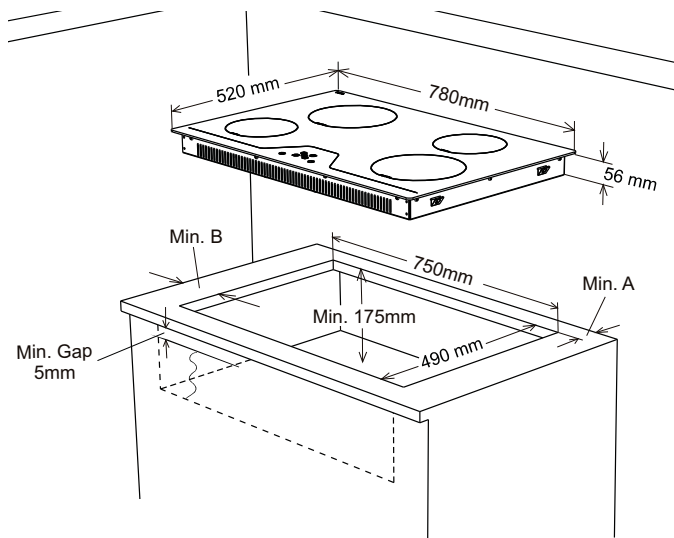
HCT781FL



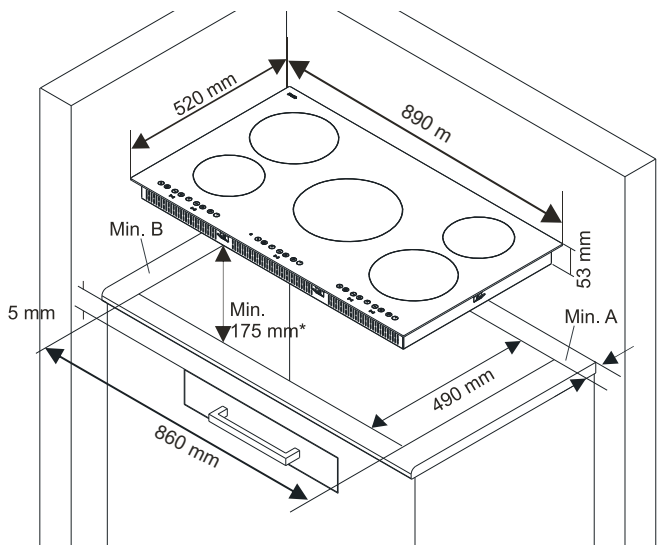
HCI61FL



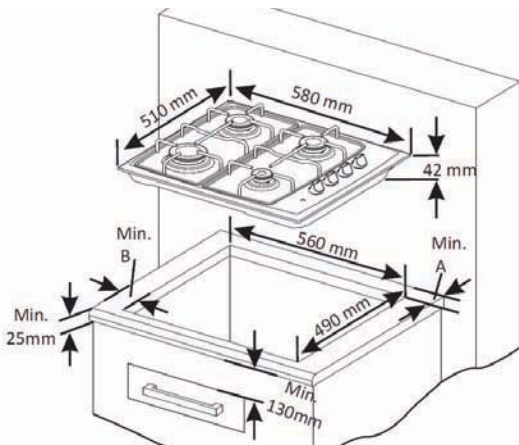
HCI79FL



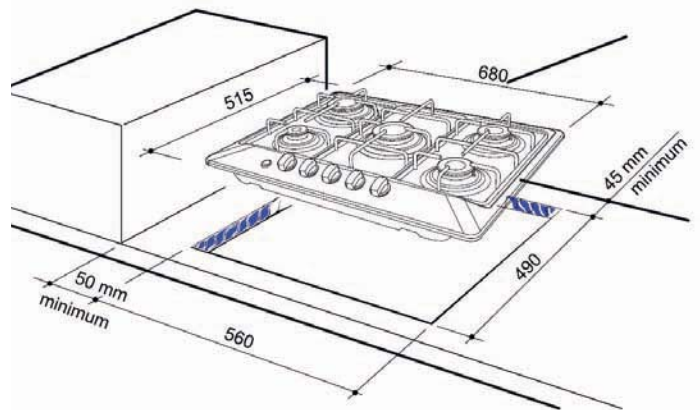
HCI90FL



HG603 / HGX603 / HGW603

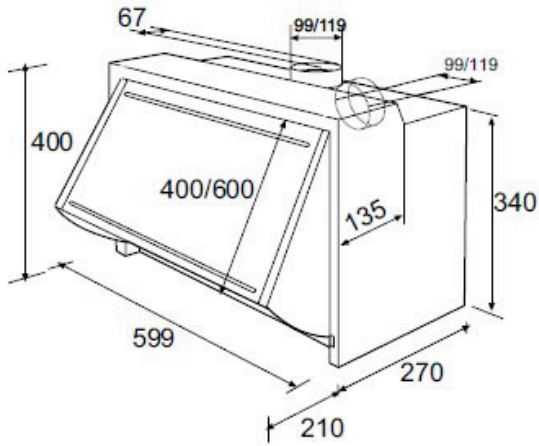


HGW701 / HGW703 / HGX703

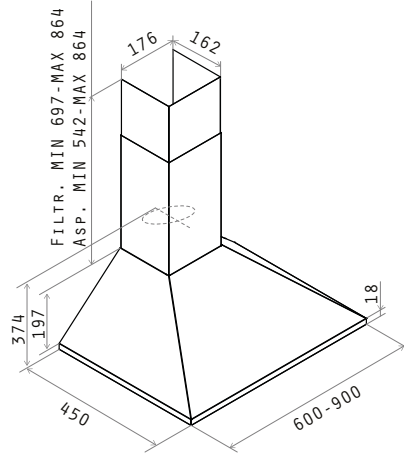


COOK

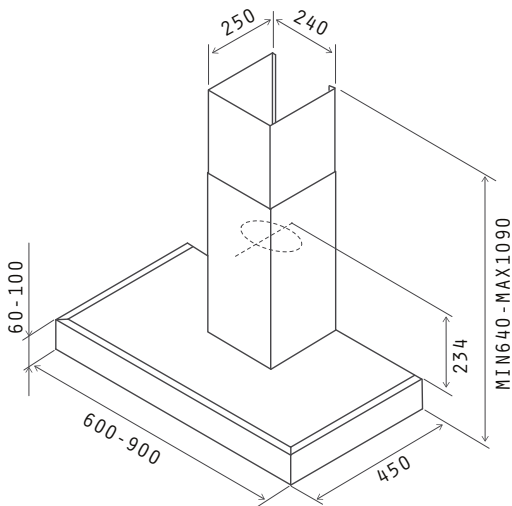
CHINT1M* / CHINT3M*



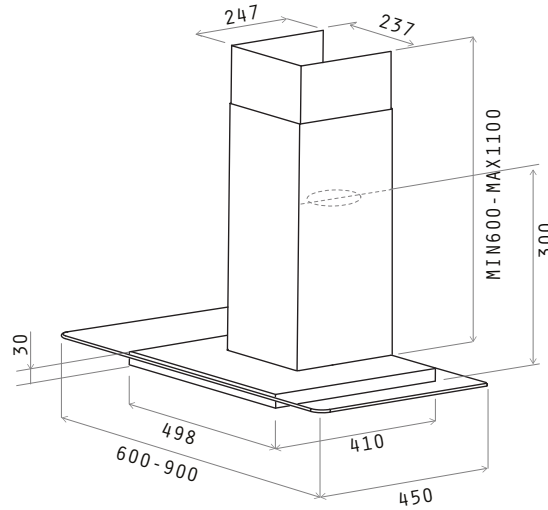
CHCMY603IX* / CHCMY903IX*



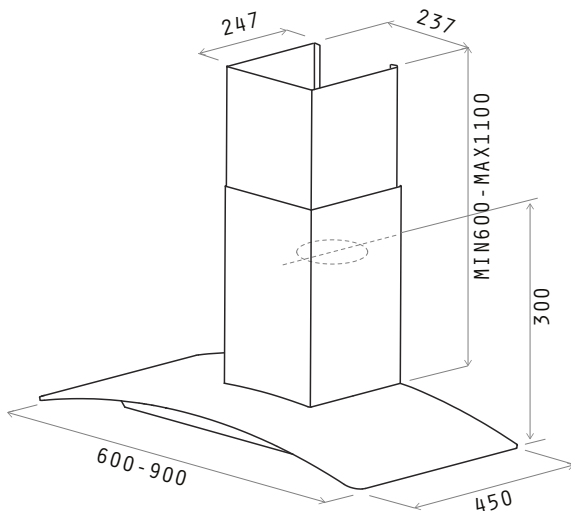
CHBD603IX* / CHBD903IX*



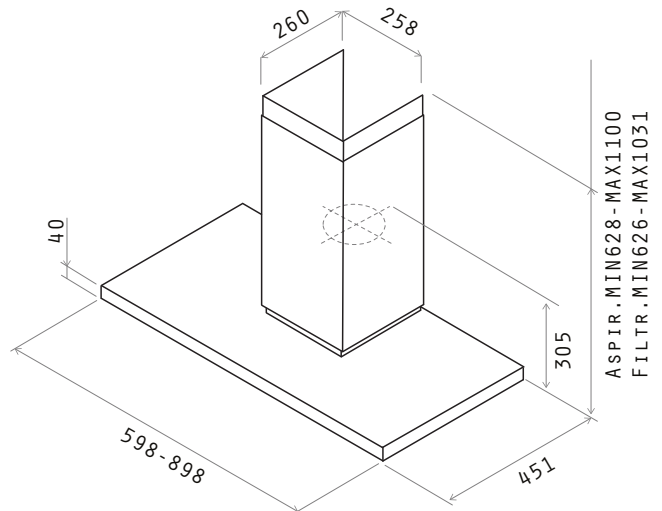
CHFGLS603IX* / CHFGLS903IX*



CHGLS603IX* / CHGLS903IX*



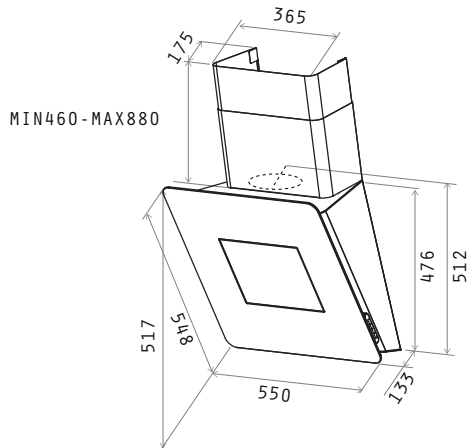
CHTC603IX* / CHTC903IX*



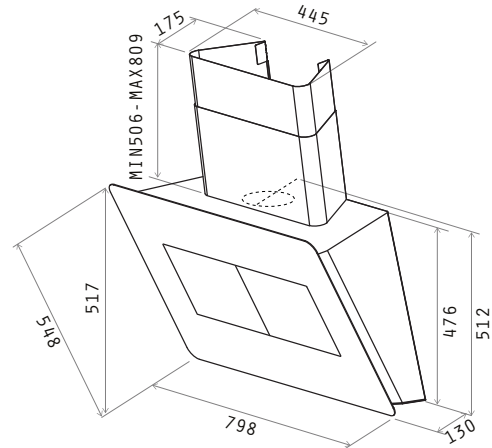
DIMENSIONS

COOK / COOL

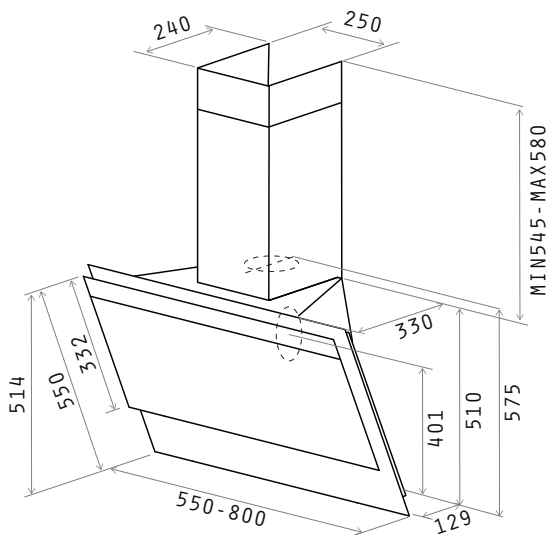
CHIX553** / CHBGL553**



CHIX803** / CHBGL803**



CHDBGL553** / CHDBGL803**



*If used for recirculation purposes the following carbon filters will be required:

CHINT1M / CHINT3M / CHCMY603IX / CHCMY903IX
Code: F00479/15 RRP: €21.40

CHBD603IX / CHBD903IX / CHFGLS603IX / CHFGLS903IX / CHGLS603IX / CHGLS903IX / CHTC603IX / CHTC903IX
Code: CARBONFILTER RRP: €12

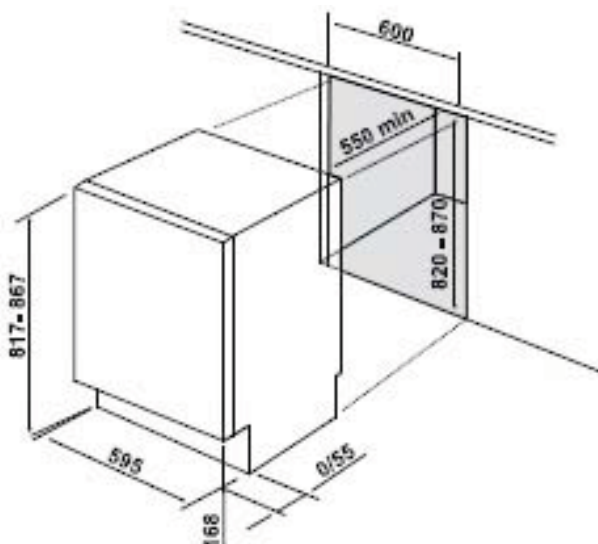
**Chimney kit not included. If used for extraction purposes the following chimney kits will be required:

CHIX553 / CHBGL553
Code: KIT0062332 RRP: €153

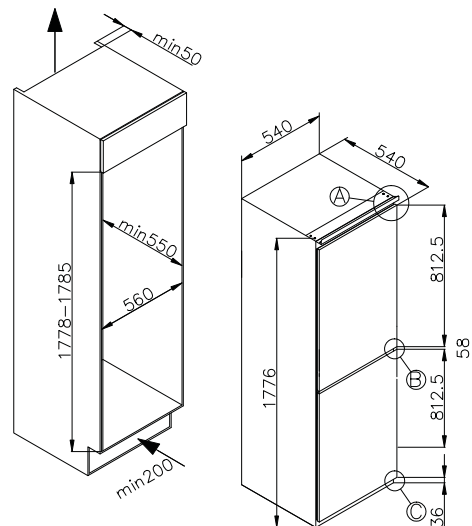
CHIX803 / CHBGL803
Code: KIT0062370 RRP: €179

CHDBGL553 / CHDBGL803
Code: KIT0019749 RRP: €185

RIUL141NMA+ / RIUF101NMA+

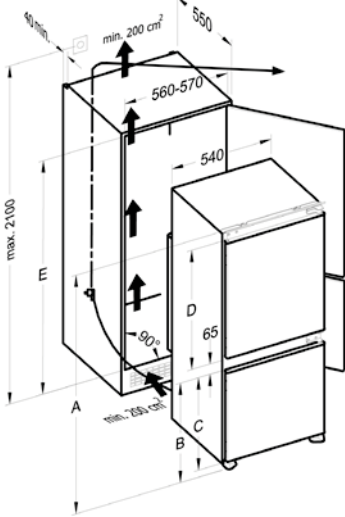


RIFF50501NMA+ / RIFF5050NF

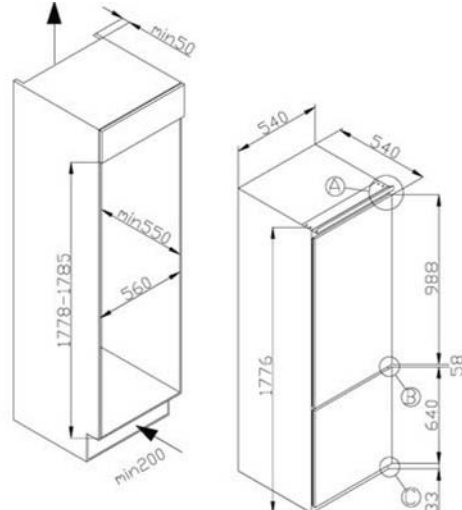


COOL / CLEAN

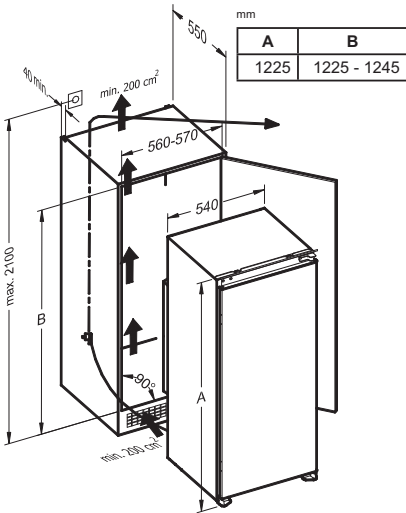
RIFF70301NMA+



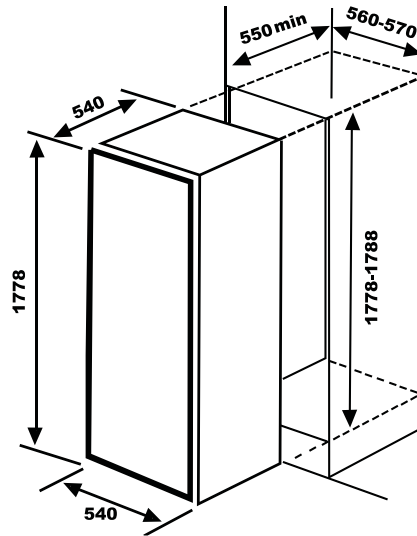
RIFF7030NF



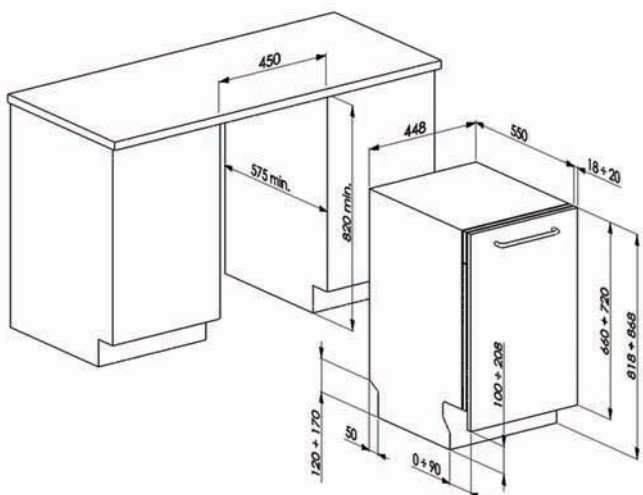
RIL1232 / RII1232



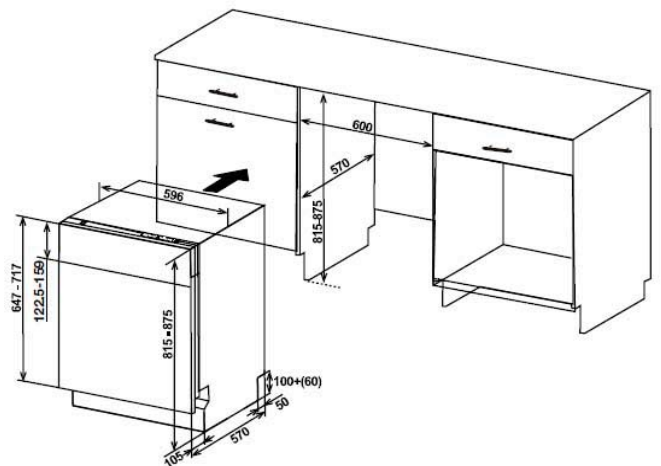
RITL395A+ / RITF391A+



DFSN451



DF60 / DSSN60 / DFSN63



INDEX

Product Code	Description	RRP*	PG.	Product Code	Description	RRP*	PG.
SO203BL	Single Fan Oven	304	8	RUII11NMWHA+	48cm Under Counter Fridge with Ice Box	184	16
SO203IX	Single Fan Oven	304	8	RULI21NMWHA+	48cm Under Counter Fridge	184	16
SO313BL	Single Multifunction Oven	384	8	RUF116NMWHA+	48cm Under Counter Freezer	204	16
SO313IX	Single Multifunction Oven	404	8	RUII42WHA+	Under Counter Fridge with Ice Box	204	16
SOT213IX	Single Multifunction Oven	449	8	RULI52WHA+	Under Counter Fridge	204	16
SOT213MR	Single Mirror Effect Multifunction Oven	449	8	RUF147WHA+	Under Counter Freezer	204	16
SOT423IX	Single Multifunction Oven	479	8	RTL266WHA+	Tall Larder Fridge	304	17
SOPT523IX	Single Pyrolytic Oven	554	8	RTF246WHA+	Tall Freezer	304	17
DOI313BL	Double Multifunction Oven	604	8	RTL396WHA+	Tall Larder Fridge	454	17
DOI313IX	Double Multifunction Oven	604	8	RTF392NFWHA+	Tall Freezer	554	17
DOU313BL	Built Under Double Multifunction Oven	604	8	RTL396IXA+	Tall Larder Fridge	554	17
DOU313IX	Built Under Double Multifunction Oven	604	8	RTF392NFIIXA+	Tall Freezer	654	17
NM823BBL	Built In Microwave	199	8	RFA90IX	French Door Fridge Freezer	1,399	17
NM823BIX	Built In Microwave	199	8	RFF263WHA+	Top Mount Fridge Freezer	284	18
NM451IX	Built In Combi Microwave	469	8	RFF263SLA+	Top Mount Fridge Freezer	324	18
CSE50WH	50cm Electric Cooker	254	9	RFF6040WHA+	60:40 Fridge Freezer	304	18
CSG50LPGWH	50cm LPG Gas Cooker	319	9	RFF6040SLA+	60:40 Fridge Freezer	324	18
CTG50WH	50cm Natural Gas Cooker	389	9	RFF6040BLA+	60:40 Fridge Freezer	334	18
CTG50LPGWH	50cm LPG Gas Cooker	389	9	RFF6040IXA+	60:40 Fridge Freezer	384	18
CTG50LPGBK	50cm LPG Gas Cooker	399	9	RFF313NFWHA+	70:30 Frost Free Fridge Freezer	404	18
CTEC50WH	50cm Electric Cooker	434	9	RFF313NFSLA+	70:30 Frost Free Fridge Freezer	434	18
CTEC50BK	50cm Electric Cooker	454	9	RFF332WHA+	70:30 Fridge Freezer	424	18
CSE60WH	60cm Electric Cooker	304	9	RFF332SLA+	70:30 Fridge Freezer	454	18
CSG60WH	60cm Natural Gas Cooker	329	9	RFF368NFWHA+	70:30 Frost Free Fridge Freezer	474	18
CSG60LPGWH	60cm LPG Gas Cooker	329	9	RFF368NFSLA+	70:30 Frost Free Fridge Freezer	504	18
CTG60LPGWH	60cm LPG Gas Cooker	399	9	RIULI41INMA+	Built Under Larder Fridge	324	18
CTG60LPGBK	60cm LPG Gas Cooker	429	9	RIUF10INMA+	Built Under Freezer	374	18
CTG60BK	60cm Natural Gas Cooker	429	9	RIFF5050INMA+	50:50 Integrated Fridge Freezer	504	19
CTEC60WH	60cm Electric Cooker	454	9	RIFF7030INMA+	70:30 Integrated Fridge Freezer	504	19
CTEC60BK	60cm Electric Cooker	474	9	RIFF5050NF	50:50 Integrated Frost Free Fridge Freezer	574	19
CDEC60BK	60cm Electric Double Oven	499	9	RIFF7030NF	70:30 Integrated Frost Free Fridge Freezer	574	19
CSG90IX	90cm Dual Fuel Range Cooker	754	9	RIL1232A+	Integrated Larder Fridge	454	19
HE62BL	60cm Solid Plate Electric Hob	149	11	RIII232A+	Integrated Larder Fridge with ice Box	454	19
HE62IX	60cm Solid Plate Electric Hob	149	11	RITL395A+	Integrated Tall Larder Fridge	554	19
HC603FL	60cm Ceramic Hob	249	11	RITF391A+	Integrated Tall Freezer	604	19
HCT62FL	60cm Touch Control Ceramic Hob	279	11	RET341CA+	Retro Fridge	704	21
HCT78IFL	78cm Touch Control Ceramic Hob	379	11	RET340R	Retro Fridge	704	21
HCI61FL	60cm Touch Control Induction Hob	379	11	RET340BL	Retro Fridge	704	21
HCI79FL	78cm Touch Control Induction Hob	519	11	RET346CA+	Retro Top Mount Fridge Freezer	654	21
HCI90FL	90cm Touch Control Induction Hob	729	11	RET345R	Retro Top Mount Fridge Freezer	704	21
HG603BL	60cm Gas Hob	199	11	RET345BL	Retro Top Mount Fridge Freezer	704	21
HG603IX	60cm Gas Hob	199	11	RETNF367CA+	Retro Frost Free Fridge Freezer	804	21
HGX603IX	60cm Gas Hob	229	11	RETNF366BL	Retro Frost Free Fridge Freezer	804	21
HGX603BGL	60cm Black Glass Gas Hob	269	11	DW46WH	45cm Freestanding Dishwasher	304	25
HGW603MR	60cm Mirror Effect Gas Hob	299	11	DW63WH	Freestanding Dishwasher	304	25
HGW701BL	70cm Gas Hob	319	11	DW63BL	Freestanding Dishwasher	324	25
HGW703IX	70cm Gas Hob	319	11	DW63SL	Freestanding Dishwasher	324	25
HGX703BGL	70cm Black Glass Gas Hob	349	11	DWSN62WH	Freestanding Dishwasher with 3rd Rack	474	25
CHINTIM	60cm Integrated Cooker Hood	99	13	DWLD63IIX	Freestanding Dishwasher with 3rd Rack	504	25
CHINT3M	60cm Integrated Cooker Hood	149	13	DFSN45I	45cm Fully Integrated Dishwasher	404	25
CHCMY603IX	60cm Chimney Cooker Hood	149	13	DF60	Fully Integrated Dishwasher	404	25
CHCMY903IX	90cm Chimney Cooker Hood	199	13	DSSN60IX	Semi Integrated Dishwasher	474	25
CHBD603IX	60cm Box Design Chimney Hood	229	13	DSSN60BL	Semi Integrated Dishwasher	474	25
CHBD903IX	90cm Box Design Chimney Hood	259	13	DFSN63	Fully Integrated Dishwasher with 3rd Rack	504	25
CHFGLS603IX	60cm Flat Glass Chimney Hood	229	13	WMI002WH	5kg Freestanding Washing Machine	264	27
CHFGLS903IX	90cm Flat Glass Chimney Hood	259	13	WMI002SL	5kg Freestanding Washing Machine	284	27
CHGLS603IX	60cm Curved Glass Chimney Hood	359	13	WMI064WH	5kg Freestanding Washing Machine	284	27
CHGLS903IX	90cm Curved Glass Chimney Hood	399	13	WMI264WH	6kg Freestanding Washing Machine	304	27
CHTC603IX	60cm Box Design Chimney Hood	579	13	WMI201SL	6kg Freestanding Washing Machine	344	27
CHTC903IX	90cm Box Design Chimney Hood	599	13	WMI275WH	7kg Freestanding Washing Machine	334	27
CHIX553	55cm Angled Designer Hood	329	13	WMI275BL	7kg Freestanding Washing Machine	374	27
CHIX803	80cm Angled Designer Hood	369	13	WMI295WH	9kg Freestanding Washing Machine	404	27
CHBGL553	55cm Black Glass Designer Hood	399	13	WDI275WH	7 / 5kg Freestanding Washer Dryer	504	27
CHBGL803	80cm Black Glass Designer Hood	429	13	WDI275SL	7 / 5kg Freestanding Washer Dryer	554	27
CHDBGL553	55cm Black Glass Designer Hood	699	13				
CHDBGL803	80cm Black Glass Designer Hood	699	13				



After-Sales Service

At NordMende, the quality of our after-sales service is just as important to us as the quality of our products. Naturally, if you choose an appliance supplied by us, you will be able to rely upon your appliance to provide you with many years of loyal service and devotion to duty. However, in the event of a problem, you can feel secure in the knowledge that NordMende's service is based right here

in Ireland with a network of engineers nationwide.

Before contacting us please have the following information to hand:

1. Full model number
2. Full serial number
3. Date of purchase
4. Name of retailer purchased from
5. Your name, address & number
6. Fault details

* Warranty Information

NordMende COOK, CLEAN & COOL products are fully guaranteed for 2 years from the date of purchase. If you register your product online within 30 days of purchase you'll receive an additional 1 year guarantee (so 3 years in total). During that time period any repairs you need will be carried out by our national network of service engineers.

Your warranty covers major parts only. Excludes microwaves and televisions which carry a 1 year parts and labour warranty. Your warranty guarantee only covers the appliance for use in a normal domestic environment. Institutional use or commercial use is not covered.



KAL, 4078 Kingswood Road
Citywest Business Campus
Dublin 24
T: 01 413 6400
kalcsu@kal.ie
www.nordmende.ie
www.kal.ie



QUALITY
I.S. EN ISO 9001:2008
NSAI Certified

ab distributors

AB Distributors
2 Cromac Place, The Gasworks
Ormeau Road, Belfast, BT7 2JB
T: 028 9023 5088
mail@abdistributors.co.uk
www.nordmende.ie
www.abdistributors.co.uk



NordMende is distributed in Ireland by KAL and AB Distributors, members of the Gowan Group.

*Included in this price is a contribution to the recycling costs of €5.00 or €10.00 where applicable. All prices include VAT. E&OE.

NordMende Ireland
KAL (Kitchen Accessories Ltd)
4078 Kingswood Road
Citywest
Dublin 24.

NordMende Northern Ireland
AB Distributors
2 Cromac Place
The Gasworks
Ormeau Road
Belfast
BT7 2JB



IRE: (01) 413 6400
W: www.nordmende.ie

NI: 028 9023 5088
W: www.nordmende.ie