



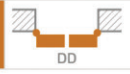
DOUBLE DOORS

REBATED AND NON-REBATED



USEFUL INFORMATION

DOUBLE DOORS



- the double doors are supplied with a solid core in fill for extra charge
- the double doors are made according to available models of the flush single doors, STILE panelled doors with respective features: colour, finish (STANDARD, SOFT), glazing etc.
- double doors available in CPL 0.2 & CPL 0.7
- passive doors use pull latches
- under "60" width passive door available as a solid core, plain version only – side panel (see drawing below)
- side panels are made in the STANDARD edge flush technology. Available with a honeycomb in fill as standard or solid core panel for extra charge. Grain direction of the side panels is vertical.
- both active and inactive door leaves come with lippings
- lippings in CPL 0.7 door leaves are laminated with CPL 0.2
- the double doors in non-rebated technology are available with a magnetic lock only
- double non-rebated leaf doors come with an adjustable door frame only
- electric door strike is not available for the double doors
- PL2112 Standard for selected door leaves

AVAILABLE DOOR LEAF WIDTHS

- flush and panelled DOUBLE DOORS from "120" to "190"*** and mixes with solid core, plain side panels

60 + 30*	70 + 30*	80 + 30*	90 + 30*	100 + 30*
60 + 40*	70 + 40*	80 + 40*	90 + 40*	100 + 40*
60 + 50*	70 + 50*	80 + 50*	90 + 50*	100 + 50*

- * side panel available in standard technology only as a solid core, plain version
- ** for "180" non-rebated doors

DOUBLE DOOR PRICE:

- flush and panelled: active leaf **60 70 80 90 100** + passive leaf **60 70 80 90***

$$\text{price of double doors with lipping} = \text{door leaf price} \times 2 + \text{lippings}$$

- flush and panelled: active leaf **60 70 80 90 100** + solid core, plain passive side panels **30 40 50**

$$\text{price of double doors with side panel and lipping} = \text{door leaf price} + \text{solid core side panel with lippings}$$

- prices of fixed and adjustable door frames for double doors + 30%
- extra charge for solid core in a side panel
- painted side panel only with solid core WHITE TITANIUM UV – surcharge

* not in the non-rebated door leaves

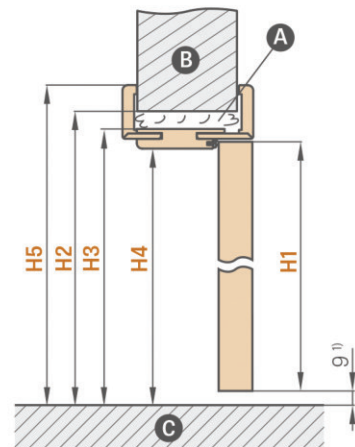
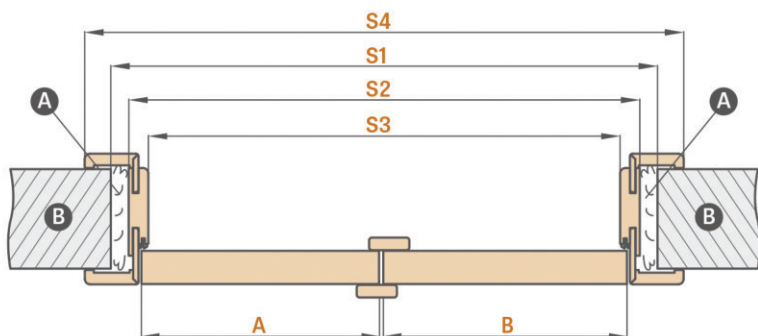




DOUBLE DOORS

NON-REBATED

NON-REBATED DOUBLE DOORS WITH ADJUSTABLE DOOR FRAME



A—foam B—wall C—floor

¹⁾ allowable deviation due to frame dimensional tolerance of ± 3 mm (we recommend to check before installation)

Adjustable door frame		NON-REBATED DOUBLE DOORS									
		"90"	"100"	"110"	"120"	"130"	"140"	"150"	"160"	"170"	"180"
A + B	Door leaf width	988	1088	1188	1288	1388	1488	1588	1688	1788	1888
S1	Opening width in the wall	1061	1161	1261	1361	1461	1561	1661	1761	1861	1961
S2	Frame outer width	1021	1121	1221	1321	1421	1521	1621	1721	1821	1921
S3	Frame opening width	977	1077	1177	1277	1377	1477	1577	1677	1777	1877
S4	Frame cover width Architraves 6cm / Architraves 8cm	1119 / 1159	1219 / 1259	1319 / 1359	1419 / 1459	1519 / 1559	1619 / 1659	1719 / 1759	1819 / 1859	1919 / 1959	2019 / 2059
H1	Door leaf height	2030 (2112) ²⁾									
H2	Opening height in the wall	2073 (2155) ²⁾									
H3	Frame outer height	2053 (2135) ²⁾									
H4	Frame opening height	2031 (2113) ²⁾									
H5	Frame cover height architrave 6 cm / architrave 8 cm	2102 / 2122 (2184 / 2204) ²⁾									

DOUBLE DOORS
- SYMMETRIC



DOUBLE DOORS
- ASYMMETRIC



DOUBLE DOORS
- WITH SOLID CORE, PLAIN SIDE PANEL



²⁾ PL2112 standard

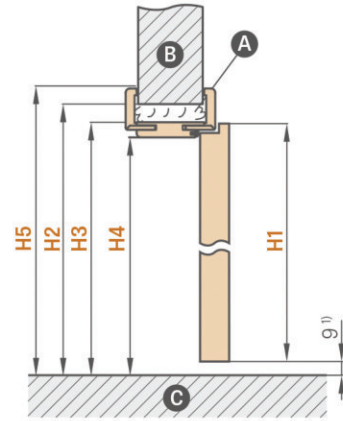
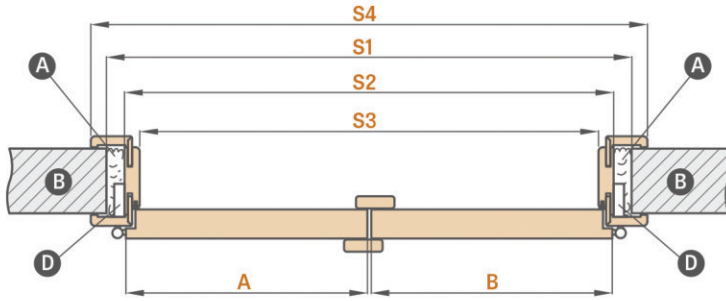


DOUBLE DOORS

REBATED



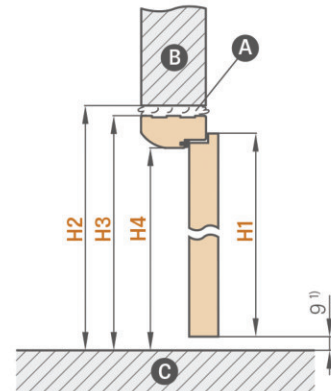
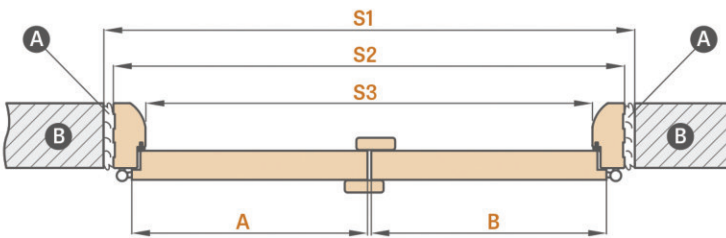
REBATED DOUBLE DOORS WITH ADJUSTABLE DOOR FRAME



A-foam B-wall C-floor D-hinge seat

Adjustable door frame		DOUBLE DOORS										
		"90"	"100"	"110"	"120"	"130"	"140"	"150"	"160"	"170"	"180"	"190"
A+B	Door leaf width	988	1088	1188	1288	1388	1488	1588	1688	1788	1888	1988
S1	Opening width in the wall	1034	1134	1234	1334	1434	1534	1634	1734	1834	1934	2034
S2	Frame outer width	994	1094	1194	1294	1394	1494	1594	1694	1794	1894	1994
S3	Frame opening width	950	1050	1150	1250	1350	1450	1550	1650	1750	1850	1950
S4	Frame cover width Architraves 6cm / Architraves 8cm	1092 / 1132	1192 / 1232	1292 / 1332	1392 / 1432	1492 / 1532	1592 / 1632	1692 / 1732	1792 / 1832	1892 / 1932	1992 / 2032	2092 / 2132
H1	Door leaf height	2030 (2112) ²										
H2	Opening height in the wall	2060 (2142) ²										
H3	Frame outer height	2040 (2122) ²										
H4	Frame opening height	2018 (2100) ²										
H5	Frame cover height architrave 6 cm / architrave 8 cm	2089 / 2109 (2171 / 2191) ²										

REBATED DOUBLE DOORS WITH FIXED DOOR FRAME



A-foam B-wall C-floor

Fixed door frame		DOUBLE DOORS										
		"90"	"100"	"110"	"120"	"130"	"140"	"150"	"160"	"170"	"180"	"190"
A+B	Door leaf width	988	1088	1188	1288	1388	1488	1588	1688	1788	1888	1988
S1	Opening width in the wall	1068	1168	1268	1368	1468	1568	1668	1768	1868	1968	2068
S2	Frame outer width	1038	1138	1238	1338	1438	1538	1638	1738	1838	1938	2038
S3	Frame opening width	950	1050	1150	1250	1350	1450	1550	1650	1750	1850	1950
H1	Door leaf height	2030	2030	2030	2030	2030	2030	2030	2030	2030	2030	2030
H2	Opening height in the wall	2077	2077	2077	2077	2077	2077	2077	2077	2077	2077	2077
H3	Frame outer height	2062	2062	2062	2062	2062	2062	2062	2062	2062	2062	2062
H4	Frame opening height	2018	2018	2018	2018	2018	2018	2018	2018	2018	2018	2018

¹⁾ allowable deviation due to frame dimensional tolerance of +- 3mm (we recommend to check before installation)

²⁾ PL2112 standard

