

NORDMENDE

SMART LIVING

2019

APPLIANCE
COLLECTION





There's a name for smart living.

We make living as enjoyable and simple as you want.

For over seven decades, NordMende has been helping customers to live the smart life - with technologies that are truly ground-breaking and testimony to our commitment, quality and excellence.

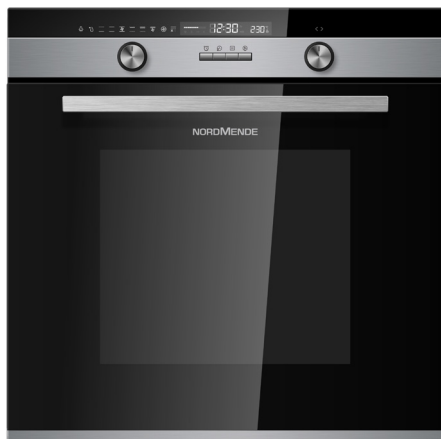
Combining great technology with our German engineering heritage, NordMende always looks to deliver the levels of quality and reliability that you've come to expect - at prices that represent real value for money. We know that customers demand appliances that make life easier – and that put them firmly in control.

Now imagine all of this coupled with one of the best appliance warranties on the market. Add in cutting edge design and it's clear to see why more and more people are making themselves at home with NordMende.

Contents

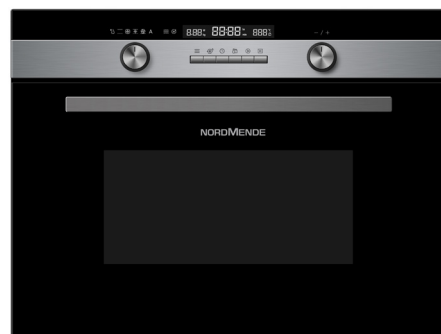
04	Inline 5 Series	20	Gas Hobs
06	Ovens	22	Cooker Hoods
08	Double Ovens & Microwaves	26	Refrigeration
12	Cookers	44	Dishwashers
16	Electric Hobs	48	Laundry
18	Induction Hobs	54	Customer Service

THE INLINE COLLECTION



SOC525IX (Catalytic)

RRP: €399.99



NM525IX

RRP: €599.99



WD525IX

RRP: €399.99

Multifunction Single Oven

- Multifunction Oven
- 70 Litre Capacity
- Pyrolytic Cleaning or Catalytic Cleaning Options
- 9 Programmes
- Digital Clock
- Pop-Out Rotary Knobs & Push Button Control
- Black Glass & Stainless Steel
- A Energy Rating
- 3 Year Warranty

SOP525IX (Pyrolytic)

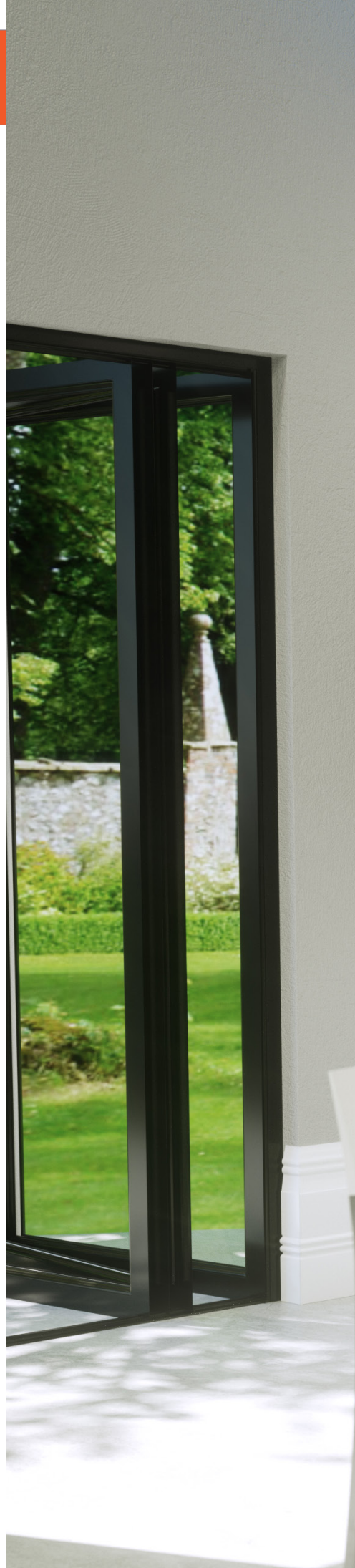
RRP: €499.99

45cm Combi Microwave Oven

- 44 Litre Capacity
- 900w Microwave
- 5 Microwave Power Levels
- Grill & Fan Oven
- 6 Combi Cooking Settings
- 13 Auto Programmes
- Defrost Functions
- Child Lock
- 3 Year Warranty

14cm High Warming Drawer

- 22 Litre Capacity
- Bread/Dough Proofing
- Slow Cook Function
- Yoghurt Preparation
- 40° - 80°C Temperature Range
- Defrost & Soften Food
- Max Capacity: 25kg
- Black Glass & Stainless Steel
- 3 Year Warranty





IN LINE **5** SERIES

SINGLE OVENS



Fan Oven with Grill

- Fan Oven with Grill
- 65 Litre Capacity
- Easy to Clean Enamel
- 4 Programmes
- Fan Grilling Programme
- Closed Door Grilling
- Double Glazed Door
- Black Glass
- A Energy Rating
- 3 Year Warranty

Fan Oven with Grill

- Fan Oven with Grill
- 58 Litre Capacity
- Easy to Clean Enamel
- 4 Programmes
- Fan Grilling Programme
- Closed Door Grilling
- Double Glazed Door
- Black Glass & Stainless Steel
- A Energy Rating
- 3 Year Warranty

65 Litre Fan Oven

- Fan Oven with Grill
- 65 Litre Capacity
- Easy to Clean Enamel
- 4 Programmes
- Fan Grilling Programme
- Closed Door Grilling
- Mechanical Timer
- Double Glazed Door
- Black Glass
- A Energy Rating
- 3 Year Warranty

SO106BL

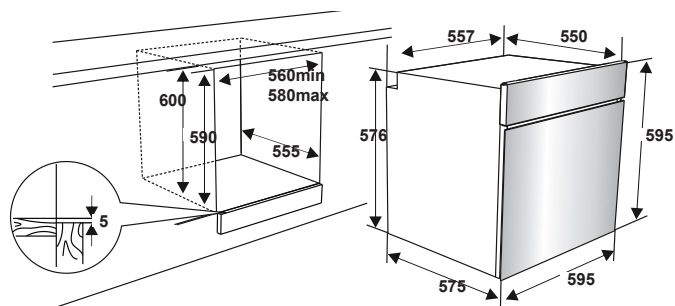
SO105IX

SO205BL

RRP: €249.99

RRP: €259.99

RRP: €289.99



Also Available in Stainless Steel:

SO205IX

RRP: €299.99



SO105 / so106 / SO205 / SOC315 / SOP415



3 Year
NET
Parts
Labour

NORDMENDE

SMART LIVING



XL Capacity

78 Litre Multifunction Oven

- Multifunction Oven
- 78 Litre Capacity
- Catalytic Liners
- 8 Programmes
- Pizza Function
- Closed Door Grilling
- Digital Clock & Easy Programmer
- Double Glazed Door
- Black Glass & Stainless Steel
- A Energy Rating
- 3 Year Warranty

SOC315IX

RRP: €359.99

Also Available in Black:

SOC315BL

RRP: €349.99



Single Pyrolytic Oven

- Multifunction Oven
- 64 Litre Capacity
- Pyrolytic Cleaning
- 8 Programmes
- Closed Door Grilling
- Digital Clock & Easy Programmer
- Quadruple Glazed Door
- Black Glass & Stainless Steel
- A Energy Rating
- 3 Year Warranty

SOP415IX

RRP: €449.99

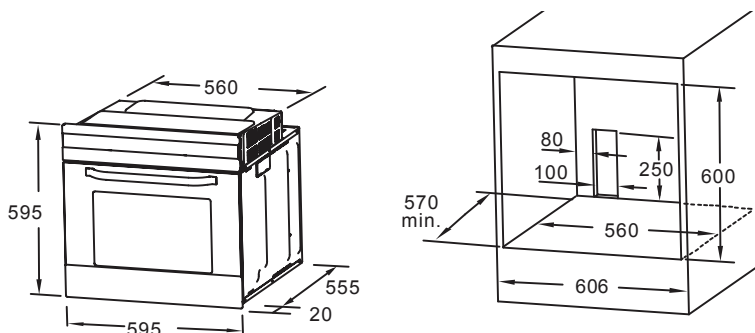


70 Litre Pyrolytic Oven

- Multifunction Oven
- 70 Litre Capacity
- Pyrolytic Cleaning
- 2 Pyro Options - 1.5 or 2 hours
- 9 Programmes
- Digital Clock
- Pop-Out Rotary Knobs & Push Button Control
- Quadruple Glazed Door
- Black Glass & Stainless Steel
- A Energy Rating
- 3 Year Warranty

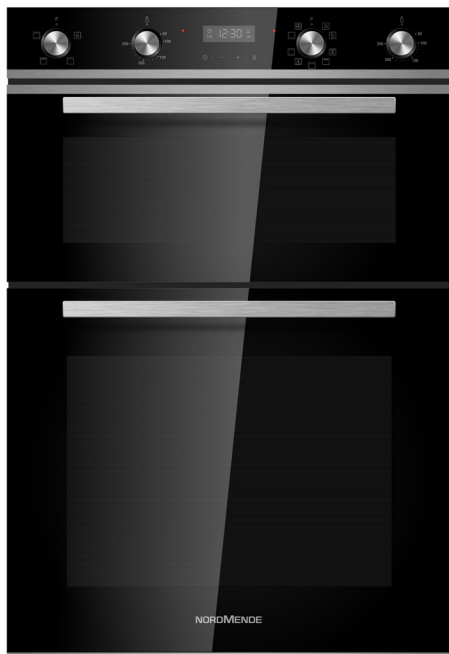
SOP515IX

RRP: €499.99



SOP515/SOC525/SOP525

DOUBLE OVENS & MICROWAVES



Built In Double Oven

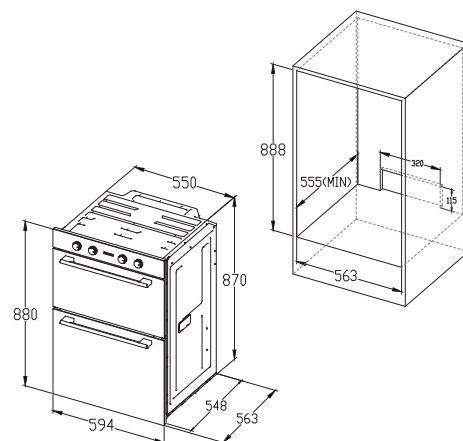
- Main Oven: Multifunction
- Main Oven Capacity: 72 Litres
- 10 Functions in Main Oven
- Top Oven: Conventional & Open Door Grill
- Top Oven Capacity: 38 Litres
- Easy to Clean Enamel
- Digital Clock & Cut-Off Timer
- Touch Control & Knob Control
- Black Glass & Stainless Steel
- A Energy Rating
- 3 Year Warranty

DOI415IX

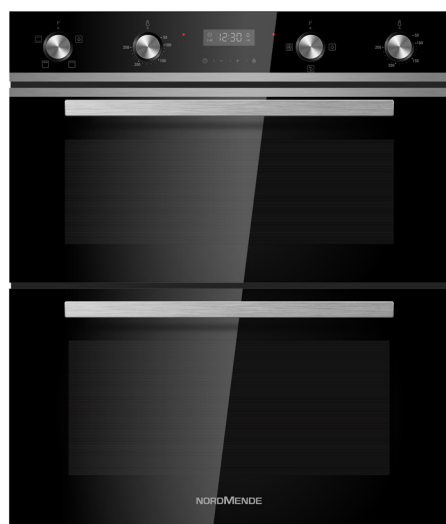
RRP: €599.99



DOI415IX Control Panel



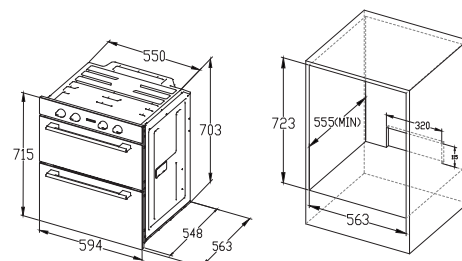
Built Under Double Oven



- Main Oven: Fan Only
- Main Oven Capacity: 54 Litres
- Top Oven: Conventional & Open Door Grill
- Top Oven Capacity: 38 Litres
- Easy to Clean Enamel
- Digital Clock & Cut-Off Timer
- Touch Control & Knob Control
- Black Glass & Stainless Steel
- A Energy Rating
- 3 Year Warranty

DOU415IX

RRP: €599.99



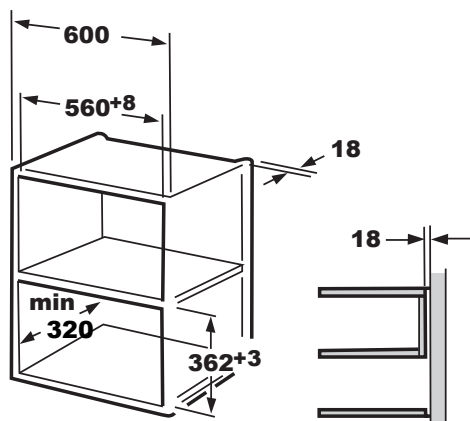


20 Litre Built In Microwave

- 20 Litre Capacity
- 800w Microwave
- 5 Power Levels
- 1000w Grill
- 24cm Turntable
- 2 Combi Cooking Settings
- 8 Auto Programmes
- Defrost by Weight or Time
- Child Lock
- Digital Clock & Easy Programmer
- Stainless Steel
- 1 Year Warranty

NM825BIX

RRP: €229.99

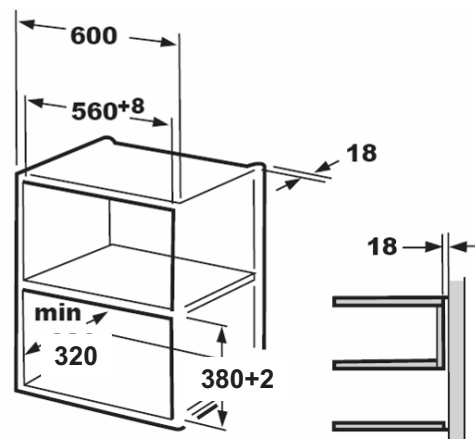


20 Litre Built In Microwave

- 20 Litre Capacity
- 800w Microwave
- 5 Power Levels
- 1000w Grill
- 24cm Turntable
- 2 Combi Cooking Settings
- 8 Auto Programmes
- Defrost by Weight or Time
- Child Lock
- Digital Clock & Easy Programmer
- Black
- 1 Year Warranty

NM824BBL

RRP: €229.99



MICROWAVES & WARMING DRAWERS

PART OF THE
5 SERIES



Slim-Depth Microwave

- 20 Litre Capacity
- 800w Microwave
- 1000w Grill
- 25.5cm Turntable
- 8 Auto Programmes
- Quick Start
- Defrost by Weight or Time
- Touch Control
- Digital Clock & Easy Programmer
- Black Glass & Stainless Steel
- 1 Year Warranty

25 Litre Built-In Microwave

- 25 Litre Capacity
- 900w Microwave
- 1000w Grill
- Auto-Door Opening
- 31.5cm Turntable
- 8 Auto Programmes
- Defrost by Weight or Time
- Touch Control
- Digital Clock & Easy Programmer
- Black Glass & Stainless Steel
- 1 Year Warranty

45cm Combi Microwave Oven

- 44 Litre Capacity
- 900w Microwave
- 5 Microwave Power Levels
- Grill & Fan Oven
- 6 Combi Cooking Settings
- 13 Auto Programmes
- Defrost Functions
- Pop-Out Rotary Knobs & Push Button Control
- Child Lock
- Black Glass & Stainless Steel
- 3 Year Warranty

NM20IX

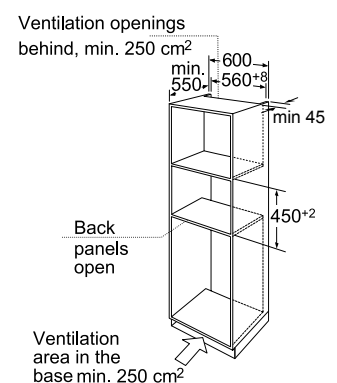
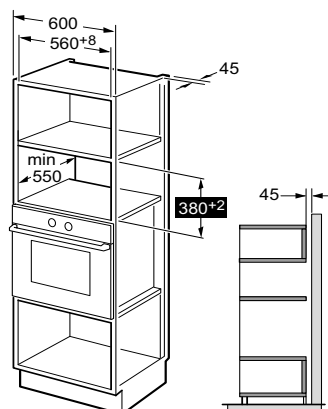
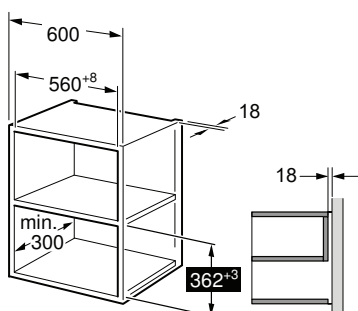
NM25IX

NM525IX

RRP: €299.99

RRP: €299.99

RRP: €599.99





3 Year
NET
Parts
Labour

PART OF THE
INLINE 5 SERIES



14cm High Warming Drawer

- 22 Litre Capacity
- Bread/ Dough Proofing
- Low Temperature Cooking/Slow Cooking
- Yoghurt Preparation
- 40° - 80°C Temperature Range
- Defrost & Soften Food
- Max Capacity: 25kg
- Handleless Design
- Push Opening System
- Stainless Steel
- LED Touch Buttons
- 3 Year Warranty

WD515IX

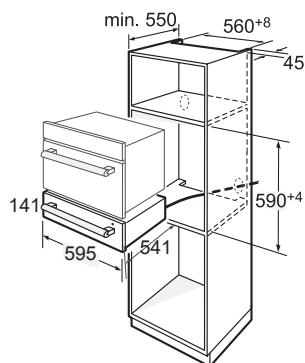
RRP: €399.99

14cm High Warming Drawer

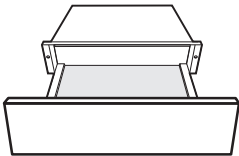
- 22 Litre Capacity
- Bread/ Dough Proofing
- Low Temperature Cooking/Slow Cooking
- Yoghurt Preparation
- 40° - 80°C Temperature Range
- Defrost & Soften Food
- Max Capacity: 25kg
- Handleless Design
- Push Opening System
- Stainless Steel & Black Glass
- LED Touch Buttons
- 3 Year Warranty

WD525IX

RRP: €399.99




Below 45cm combi-microwave installation



With the option to slow cook, prove bread and keep your meals warm before serving, our warming drawers will help you from preparing to serving.

NordMende's new inline 5 series collection fits together seamlessly in an inline formation or in a traditional tower.



50CM FREESTANDING COOKERS



50cm Electric Cooker

- Electric Single Cavity
- Conventional Oven & Grill
- Oven Capacity: 55 Litres
- 4 Solid Plates - 2 Rapid Heat Plates
- Easy to Clean Enamel
- Grill Pan and Handle
- White
- 3 Year Warranty

CSE514WH

RRP: €249.99

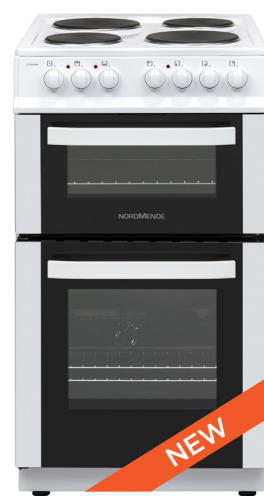


50cm LPG Gas Cooker

- LPG Gas Single Cavity
- Oven Capacity: 50 Litres
- 4 Gas Burners
- Button Ignition
- Enamel Pan Supports
- Easy to Clean Enamel
- Grill Pan and Handle
- Mechanical Timer
- White
- 3 Year Warranty

CSG52LPGWH

RRP: €319.99



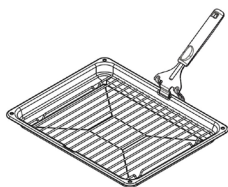
50cm Static Electric Cooker

- Electric Twin Cavity
- Conventional in Main Oven
- Grill Only in Top Cavity
- Main Oven Capacity: 54 Litres
- Top Cavity Capacity: 31 Litres
- 4 Solid Plates
- Easy to Clean Enamel
- Grill Pan and Handle
- Mechanical Timer
- White
- 3 Year Warranty

CTES51WH

RRP: €329.99

Available: May



All of our freestanding cookers come with a grill pan and handle, perfect to use for your Sunday morning family breakfast!

You can set the desired cooking time by simply turning the timer button clockwise. At the end of the time period, the cooker will beep to let you know.





50cm Natural Gas Cooker

- Natural Gas Twin Cavity
- Main Oven Capacity: 53 Litres
- Top Cavity Capacity: 29 Litres
- 4 Gas Burners
- Grill Only in Top Cavity
- Enamel Pan Supports
- Easy to Clean Enamel
- Grill Pan and Handle
- Mechanical Timer
- White
- 3 Year Warranty

CTG51WH

RRP: €399.99

All NordMende products are fully guaranteed for 2 years from date of purchase.

If you register your product online within 30 days of purchase you'll receive an additional 1 year free of charge



50cm LPG Gas Cooker

- LPG Gas Twin Cavity
- Main Oven Capacity: 53 Litres
- Top Cavity Capacity: 29 Litres
- 4 Gas Burners
- Grill Only in Top Cavity
- Enamel Pan Supports
- Easy to Clean Enamel
- Grill Pan and Handle
- Mechanical Timer
- 3 Year Warranty

CTG51LPGBK

RRP: €399.99

Also Available in White
CTG51LPGWH
RRP: €399.99



50cm Electric Cooker

- Electric Twin Cavity
- Fan in Main Oven
- Grill Only in Top Cavity
- Main Oven Capacity: 50 Litres
- Top Cavity Capacity: 31 Litres
- Ceramic Hob - 4 Zones
- Residual Heat Indicators
- Easy to Clean Enamel
- Grill Pan and Handle
- Mechanical Timer
- 3 Year Warranty

CTEC51WH

RRP: €429.99

Also Available in Black
CTEC51BK
RRP: €449.99



60CM+ FREESTANDING COOKERS



60cm Electric Cooker

- Electric Single Cavity
- Conventional Oven & Grill
- Oven Capacity: 62 Litres
- 4 Solid Plates - 2 Rapid Heat Plates
- Easy to Clean Enamel
- Mechanical Timer
- Grill Pan and Handle
- White
- 3 Year Warranty

CSE62WH

RRP: €299.99



60cm LPG Gas Cooker

- LPG Gas Single Cavity
- Oven Capacity: 58 Litres
- 4 Gas Burners
- Button Ignition
- Enamel Pan Supports
- Easy to Clean Enamel
- Mechanical Timer
- Grill Pan and Handle
- White
- 3 Year Warranty

CSG62LPGWH

RRP: €349.99



60cm LPG Gas Cooker

- LPG Gas Twin Cavity
- Main Oven Capacity: 62 Litres
- Top Cavity Capacity: 33 Litres
- 4 Gas Burners
- Grill in Top
- Enamel Pan Supports
- Easy to Clean Enamel
- Grill Pan and Handle
- Mechanical Timer
- 3 Year Warranty

CTG61LPGWH

RRP: €429.99

Also Available in Black

LPG: CTG61LPGBK

NG: CTG61BK

RRP: €449.99



All NordMende products are fully guaranteed for 2 years from date of purchase.

If you register your product online within 30 days of purchase you'll receive an additional 1 year free of charge





3 Year
NET
Parts
Labour

NORDMENDE

SMART LIVING



60cm Electric Cooker

60cm Double Electric Cooker

90cm Range Cooker

- Electric Twin Cavity
- Fan in Main Oven
- Grill Only in Top Cavity
- Main Oven Capacity: 58 Litres
- Top Cavity Capacity: 35 Litres
- Ceramic Hob - 4 Zones
- Residual Heat Indicators
- Easy to Clean Enamel
- Grill Pan and Handle
- Mechanical Timer
- 3 Year Warranty

- Electric Double Cavity
- Fan in Main Oven
- Grill & Conventional Oven in Top Cavity
- Main Oven Capacity: 63 Litres
- Top Cavity Capacity: 36 Litres
- Ceramic Hob - 4 Zones
- Residual Heat Indicators
- Easy to Clean Enamel
- Grill Pan and Handle
- Mechanical Timer
- 3 Year Warranty

- Electric Single Cavity
- Dual Fuel Range Cooker
- 105 Litre Capacity
- 8 Programmes
- 5 Gas Burners Incl. Wok
- Catalytic Liners
- Telescopic Rails
- Cast Iron Pan Supports
- Mechanical Timer
- Storage Shelf
- 3 Year Warranty

CTEC61BK

CDEC61IX

CSG92IX

RRP: €469.99

RRP: €499.99

RRP: €749.99

Also Available in White

CTEC61WH

RRP: €449.99



Available: May

The NordMende range cooker's cast iron supports are designed to be robust and durable. They position the pan at optimum height above the flame ensuring the even distribution of heat while cooking. Giving you perfect cooking results!



ELECTRIC HOBS



Also Available in Stainless Steel

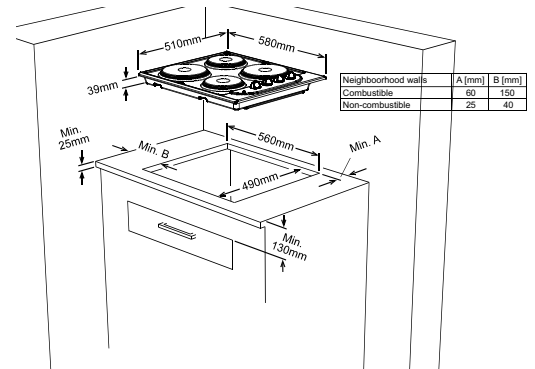
HE62IX

RRP: €159.99



60cm Solid Plate Hob

- 2 Rapid Plates
- 2 X 1.5Kw
- 1 X 2 Kw Plates
- 1 X 1Kw Plates
- Side Controls
- Power On/Off Light
- Black or Stainless Steel Option
- 3 Year Warranty

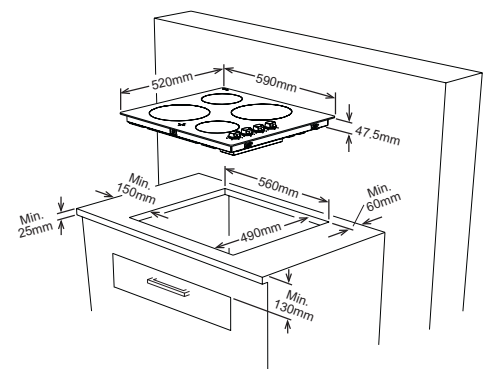
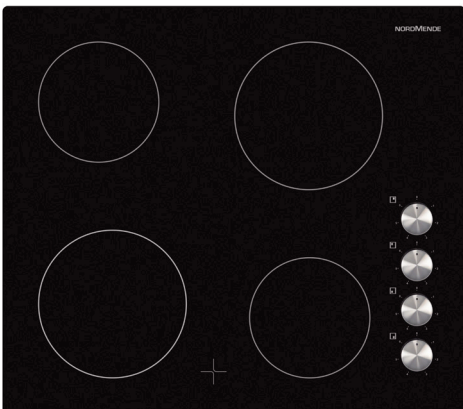


HE62BL

RRP: €149.99

60cm Ceramic Hob

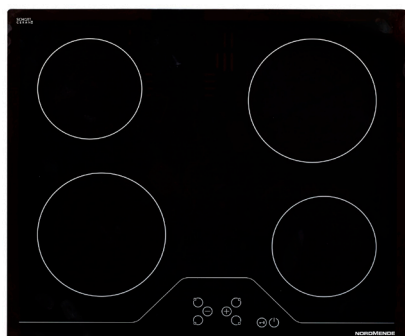
- 4 Cooking Zones
- Residual Heat Indicators
- Stainless Steel Side Controls
- Frameless Design
- Residual Heat Indicator
- Highlight Element
- Black Glass
- 3 Year Warranty



HC604FL

RRP: €249.99

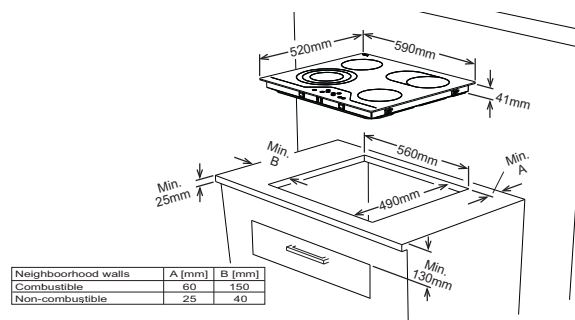
60cm Ceramic Hob



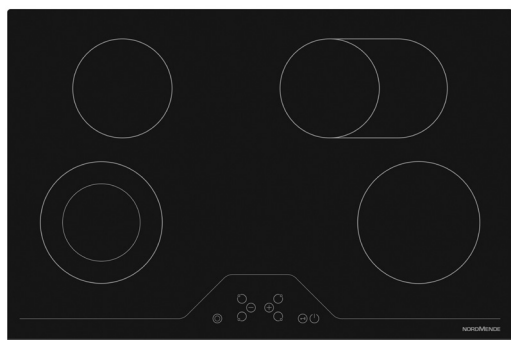
- 4 Cooking Zones
- Residual Heat Indicators
- Front Touch Controls
- Frameless Design
- Front Bevelled Edge
- Child Lock
- Highlight Element
- Power On/Off Switch
- Black Glass
- 3 Year Warranty

HCT62FL

RRP: €289.99



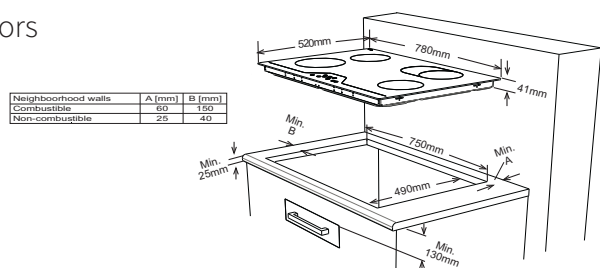
78cm Ceramic Hob



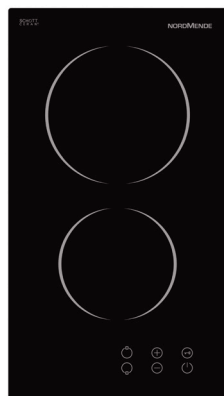
- 4 Cooking Zones
- 1 Dual & 1 Extendable
- Residual Heat Indicators
- Front Touch Controls
- Frameless Design
- Front Bevelled Edge
- Child Lock
- Highlight Element
- Power On/Off Switch
- Black Glass
- 3 Year Warranty

HCT781FL

RRP: €389.99



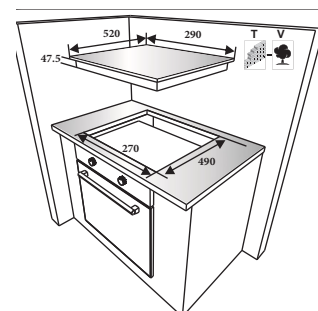
30cm Domino Hob



- 2 Cooking Zones
- 145mm Highlight Element:
- 1200W
- 180mm Highlight Element:
- 1800W
- Front Touch Controls
- Residual Heat Indicator
- Child Lock
- Black Glass
- 3 Year Warranty

HTC30

RRP: €199.99



INDUCTION HOBS

Our hob features explained.



**CHILD
LOCK**

This safety feature allows you to lock the buttons on the control panel so that children cannot accidentally change the setting of your appliance when it's on.



**ELECTRONIC
CONTROL**

These streamlined electronic controls are stylish and easy to use. The seamless design also means that keeping your appliance clean is as simple as ever.



**RESIDUAL
HEAT**

INDICATOR

This valuable safety feature works by illuminating an indicator to tell you if a zone of the ceramic hob is still hot even after you have turned off the controls.



3 Year
NET
Parts
Labour

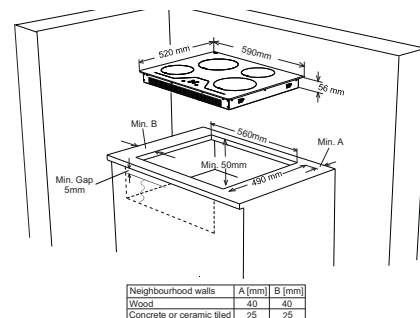
60cm Induction Hob



- 4 Induction Zones
- Residual Heat Indicators
- Front Touch Controls
- Automatic Pot Detection
- Smart Pause (30 Minute Recall)
- Frameless Design
- Front Bevelled Edge
- Boost Function on all Zones
- Child Lock
- 3 Year Warranty

HCI62FL

RRP: €359.99



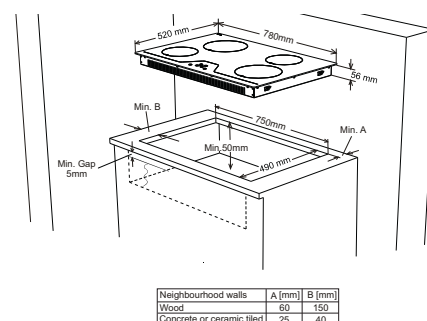
78cm Induction Hob



- 4 Induction Zones
- Residual Heat Indicators
- Front Touch Controls
- Automatic Pot Detection
- Smart Pause (30 Minute Recall)
- Frameless Design
- Front Bevelled Edge
- Boost Function on all Zones
- Electronic Timer
- Child Lock
- 3 Year Warranty

HCI79FL

RRP: €449.99



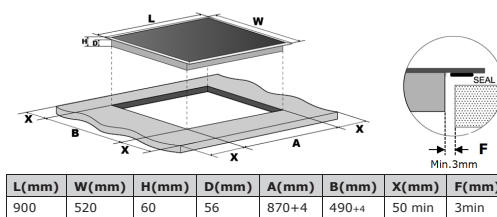
90cm Induction Hob



- 5 Induction Zones with 2 Bridge Zones
- Flexible Cooking Zones
- Slider Control
- Residual Heat Indicators
- Automatic Pot Detection
- Frameless Design
- Boost Function on all Zones
- Electronic Timer
- Child Lock
- 3 Year Warranty

HCI901FL

RRP: €699.99



GAS HOBS



60cm Gas Hob

- 4 Burners
- Enamel Pan Supports
- Flame Failure Safety Device
- Stainless Steel Side Controls
- Auto Ignition
- Gas Conversion Kit
- Stainless Steel or Black
- 3 Year Warranty

HGE603IX

RRP: €189.99

Also Available in Black

HGE603BL

RRP: €179.99



60cm X-Design Gas Hob

- 4 Burners
- Cast Iron Pan Supports
- Flame Failure Safety Device
- Stainless Steel
- Plus X Design
- Auto Ignition
- Gas Conversion Kit
- Black Glass or Stainless Steel
- 3 Year Warranty

HGX603BGL

RRP: €279.99

Stainless Steel Model

HGX603IX

RRP: €229.99



70cm Gas Hob

- 5 Burners Incl. Central Wok
- Cast Iron Pan Supports
- Flame Failure Safety Device
- Stainless Steel Front Controls
- Plus X Design
- Auto Ignition
- Gas Conversion Kit
- Stainless Steel or Black Glass
- 3 Year Warranty

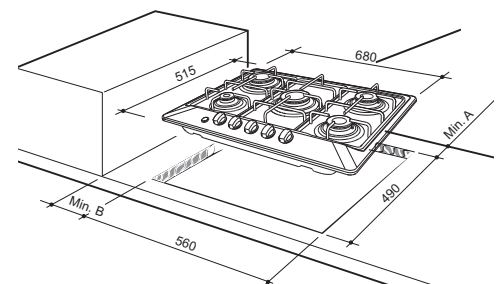
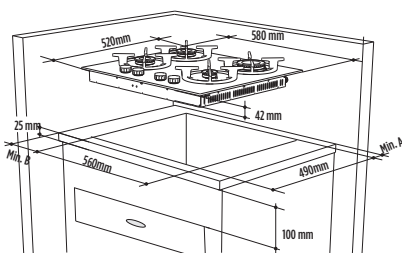
HGX703IX

RRP: €299.99

Also Available in Black Glass

HGX703BGL

RRP: €359.99



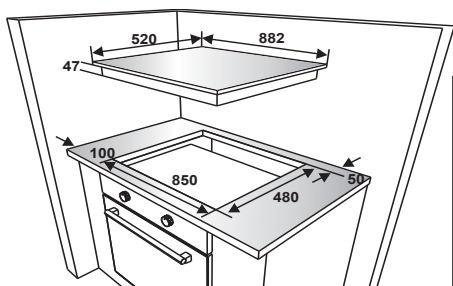


90cm Black Glass Gas Hob

- 5 Burners Incl. Side Wok Burner
- Cast Iron Pan Supports
- Flame Failure Safety Device
- Stainless Steel Front Controls
- Auto Ignition
- Gas Conversion Kit
- Black Glass
- 3 Year Warranty

HGX903BGL

RRP: €499.99



Our gas hob features explained.



NordMende electric ignition hobs use electric sparks to ignite the surface burners. This is the “clicking sound” audible just before the burner actually lights. Once the gas burner lights, the knob is turned further to modulate the flame size.



For additional safety NordMende gas hobs are fitted with a flame safety device that automatically halts the supply of gas if the flame goes out for any reason.



Our NordMende cast iron supports are designed to be robust and durable. They position the pan at optimum height above the flame ensuring the even distribution of heat while cooking.



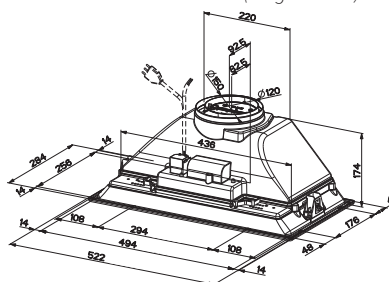
**NEW
NORDMENDE
EXTRACTOR
FANS**



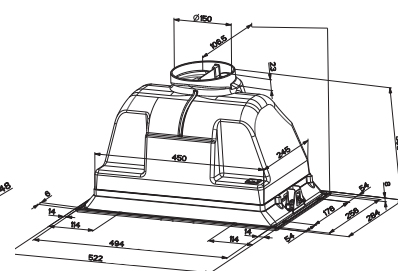
52cm Canopy Hood

- Single or Twin Motor
- Single Motor Max Extr: 300 m3/h
- Twin Motor Max Extr: 600 m3/h
- 3 Speeds
- Slider Control
- Max Noise: 67 / 71 dBA
- Synthetic Grease Filter
- 2x LED Lamps
- 150mm Ducting
- D Energy Class
- 3 Year Warranty

CHCANSINGLE60 (Single Motor)



CHCANTWIN60 (Twin Motor)



CHCANSINGLE60 (Single Motor)

RRP: €79.99

CHCANTWIN60 (Twin Motor)

RRP: €169.99



60cm Integrated Hood

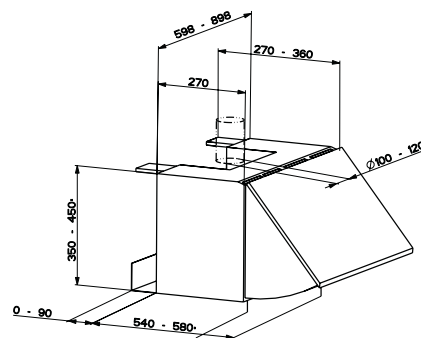
- Single or Twin Motor
- Single Motor Max Extr: 240 m3/h
- Twin Motor Max Extr: 400 m3/h
- 3 Speeds
- Slider Control
- Max Noise: 61 / 66 dBA
- Synthetic Grease Filter
- 2x LED Lamps
- 125mm Ducting
- C Energy Class
- 3 Year Warranty

CHINTSINGLE60 (Single Motor)

RRP: €129.99

CHINTTWIN60 (Twin Motor)

RRP: €159.99

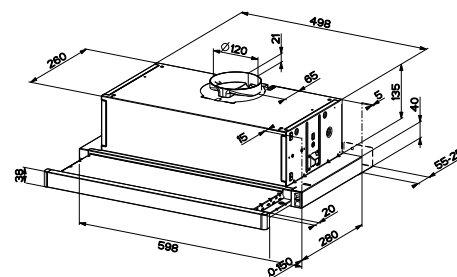


60cm Telescopic Hood

- Max Extraction: 310 m3/h
- 3 Speeds
- Push Button Control
- Max Noise: 67 dBA
- Cassette Grease Filter
- 2x LED Lamps
- 150mm Ducting
- D Energy Class
- 3 Year Warranty

CHTEL60

RRP: €149.99



EXTRACTOR FANS



Chimney Hood

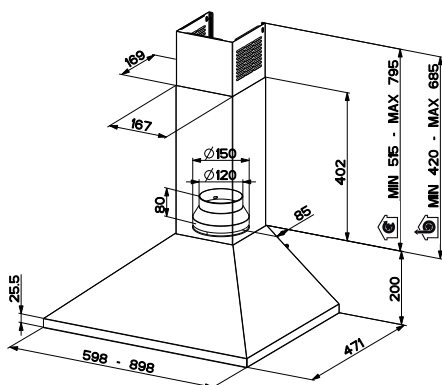
- 60cm or 90cm
- Max Extraction: 430 m3/h
- 3 Speeds
- Push Button Control
- Max Noise: 67 dBA
- Cassette Grease Filter
- 2x LED Lamps
- 150mm Ducting
- D Energy Class
- 3 Year Warranty

CHCMY604IX (60cm Version)

RRP: €149.99

CHCMY904IX (90cm Version)

RRP: €199.99



Box Design Hood

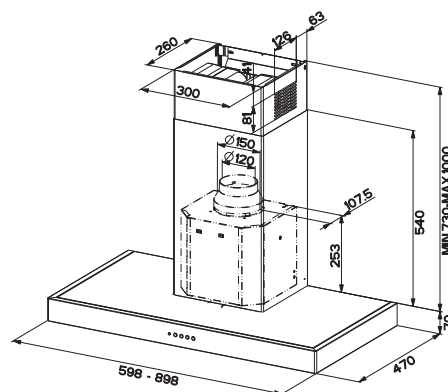
- 60cm or 90cm
- Stainless Steel
- Max Extraction: 435 m3/h
- 3 Speeds
- Push Button Control
- Max Noise: 68 dBA
- Cassette Grease Filter
- 2x LED Lamps
- 150mm Ducting
- C Energy Class
- 3 Year Warranty

CHBD604IX (60cm Version)

RRP: €249.99

CHBD904IX (90cm Version)

RRP: €299.99





Flat Glass Hood

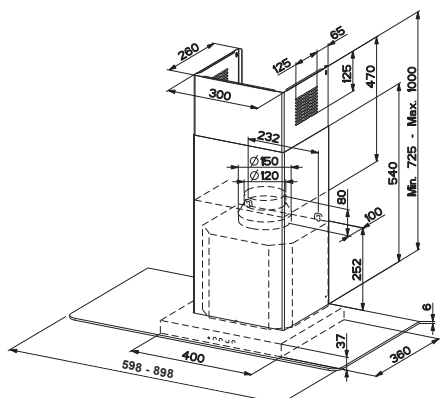
- 60cm or 90cm
- Stainless Steel & Glass
- Max Extraction: 420 m3/h
- 3 Speeds
- Push Button Control
- Max Noise: 68 dBA
- Cassette Grease Filter
- 2x LED Lamps
- 150mm Ducting
- C Energy Class
- 3 Year Warranty

CHFGLS605IX (60cm Version)

RRP: €249.99

CHFGLS905IX (90cm Version)

RRP: €299.99



Curved Glass Hood

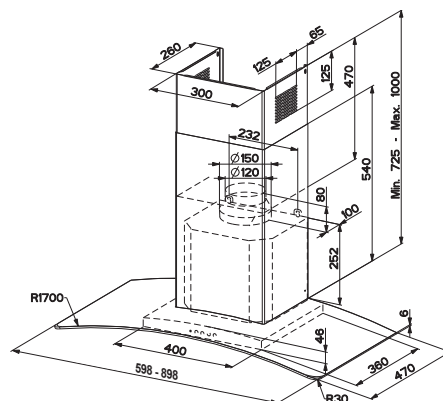
- 60cm or 90cm
- Stainless Steel & Glass
- Max Extraction: 420 m3/h
- 3 Speeds
- Push Button Control
- Max Noise: 68 dBA
- Cassette Grease Filter
- 2x LED Lamps
- 150mm Ducting
- C Energy Class
- 3 Year Warranty

CHGLS605IX (60cm Version)

RRP: €249.99

CHGLS905IX (90cm Version)

RRP: €299.99



RETRO REFRIGERATION

NORDMENDE



Visit www.nordmende.ie for more information



3 Year
NET
Parts
Labour
Warranty

NORDMENDE

SMART LIVING



Retro Fridge with Ice Box

Retro Top Mount

Retro Fridge Freezer

- Net Fridge Capacity: 281 Litres
- 4* Freezer Box: 30 Litres
- Single Door (Not Reversible)
- Auto Defrost Fridge
- 43 dB Max Noise Level
- Gloss Cream
- A+ Energy Rating
- H1770 x W605 x D635mm
- 3 Year Warranty

- Net Fridge Capacity: 241 Litres
- Net Freezer Capacity: 70 Litres
- Two Doors (Not Reversible)
- Auto Defrost Fridge
- Top Mount Freezer
- 42 dB Max Noise Level
- Gloss Red
- A+ Energy Rating
- H1754 x W605 x D635mm
- 3 Year Warranty

- Net Fridge Capacity: 231 Litres
- Net Freezer Capacity: 87 Litres
- Two Doors (Not Reversible)
- Auto Defrost Fridge
- No Frost Freezer
- 45 dB Max Noise Level
- Gloss Blue
- A+ Energy Rating
- H1900 x W605 x D670mm
- 3 Year Warranty

RET341CA+

RET347RA+

RETNF368BLUEA+

RRP: €699.99

RRP: €749.99

RRP: €849.99

Also Available in Gloss Red & Gloss Blue
RRP: €699.99

Also Available in Gloss Cream, Gloss Blue & Gloss Black
RRP: €749.99

Also Available in Gloss Cream
RRP: €849.99



UNDERCOUNTER REFRIGERATION



48cm Fridge with Ice Box

- Net Fridge Capacity: 73 Litres
- 2* Freezer Box: 8 Litres
- Auto Defrost Fridge
- Safety Glass Shelves
- Reversible Door
- Recessed Handles
- 41 dB Max Noise Level
- Suitable for Undercounter
- A+ Energy Rating
- 3 Year Warranty

RUI112NMWHA+

RRP: €179.99



48cm Fridge

- Net Fridge Capacity: 89 Litres
- Auto Defrost Fridge
- Safety Glass Shelves
- Reversible Door
- Recessed Handles
- 43 dB Max Noise Level
- White
- Suitable for Undercounter
- A+ Energy Rating
- 3 Year Warranty

RUL122NMWHA+

RRP: €179.99



48cm Freezer

- Net Freezer Capacity: 63 Litres
- Quick Freeze Compartments
- Opaque Freezer Drawers
- Reversible Door
- Recessed Handles
- Mechanical Temperature Setting
- 43 dB Max Noise Level
- Suitable for Undercounter
- A+ Energy Rating
- 3 Year Warranty

RUF117NMWHA+

RRP: €189.99

48cm Closed View



**All NordMende
undercounter refrigeration
is A+ rated.**

**The better the rating is, the
less money it will cost to run
throughout the year.**



3 Year
NET
Parts
& Labour

NORDMENDE

SMART LIVING



55cm Fridge with Ice Box

- Net Fridge Capacity: 105 Litres
- 4* Freezer Box: 12 Litres
- Auto Defrost Fridge
- Safety Glass Shelves
- Reversible Door
- Recessed Handles
- 41 dB Max Noise Level
- Suitable for Undercounter
- A+ Energy Rating
- 3 Year Warranty

RUI142WHA+

RRP: €199.99



55cm Fridge

- Net Fridge Capacity: 106 Litres
- Auto Defrost Fridge
- Safety Glass Shelves
- Reversible Door
- Recessed Handles
- 41 dB Max Noise Level
- White
- Suitable for Undercounter
- A+ Energy Rating
- 3 Year Warranty

RUL152WHA+

RRP: €199.99



55cm Freezer

- Net Freezer Capacity: 102 Litres
- Quick Freeze Compartments
- Opaque Freezer Drawers
- Reversible Door
- Recessed Handles
- 40dB Max Noise Level
- White
- Suitable for Undercounter
- A+ Energy Rating
- 3 Year Warranty

RUF148WHA+

RRP: €199.99

55cm Closed View



All NordMende products are fully guaranteed for 2 years from date of purchase.
If you register your product online within 30 days of purchase you'll receive an additional 1 year free of charge



FREESTANDING FRIDGE FREEZERS



55cm Fridge Freezer

- Net Fridge Capacity: 171 Litres
- Net Freezer Capacity: 42 Litres
- Auto Defrost Fridge
- Low Frost Freezer
- Reversible Doors
- Chrome Recessed Handle
- 42 dB Max Noise Level
- White (pictured above) or Silver
- A+ Energy Rating
- H1440 x W540 x D570mm
- 3 Year Warranty

RFF264WHA+

RRP: €269.99

Silver Model
RFF264SLA+
RRP: €289.99



1700mm High Fridge Freezer

- Net Fridge Capacity: 184 Litres
- Net Freezer Capacity: 84 Litres
- Auto Defrost Fridge
- Low Frost Freezer
- Reversible Doors
- Chrome Recessed Handle
- 40 dB Max Noise Level
- Silver (pictured above), White, Black or Inox Look
- A+ Energy Rating
- H1700 x W540 x D595mm
- 3 Year Warranty

RFF60402SLA+

RRP: €319.99

White Model
RFF60402WHA+
RRP: €299.99



Black Model
RFF60402BLA+
RRP: €329.99



Inox Look Model
RFF60402IXLA+
RRP: €349.99



1660mm High Fridge Freezer

- Net Fridge Capacity: 142 Litres
- Net Freezer Capacity: 95 Litres
- No Frost Freezer
- Reversible Doors
- Chrome Recessed Handle
- 42 dB Max Noise Level
- Inox Look (pictured above) or White
- A+ Energy Rating
- H1660 x W540 x D595mm
- 3 Year Warranty

RFF314NFIXLA+

RRP: €399.99

White Model
RFF314NFWHA+
RRP: €369.99





3 Year
NET
Parts
Labour



1860mm High Fridge Freezer

- Net Fridge Capacity: 230 Litres
- Net Freezer Capacity: 106 Litres
- Auto Defrost Fridge
- Low Frost Freezer
- Reversible Doors
- Chrome Recessed Handle
- 41 dB Max Noise Level
- Dark Inox (pictured above), Silver or White
- A+ Energy Rating
- H1860 x W598 x D650mm
- 3 Year Warranty

RFF333DIX+ Available: June

RRP: €479.99

Silver Model
RFF333SLA+
RRP: €429.99



White Model
RFF333WHA+
RRP: €399.99



1860mm High Fridge Freezer

- Net Fridge Capacity: 231 Litres
- Net Freezer Capacity: 87 Litres
- No Frost Freezer
- Reversible Doors
- Chrome Recessed Handle
- 42 dB Max Noise Level
- Stainless Steel (pictured above), White, Silver or Dark Inox
- A+ Energy Rating
- H1860 x W598 x D650mm
- 3 Year Warranty

RFF370NFRIXA+

RRP: €499.99

White Model
RFF370NFWHA+
RRP: €449.99



Silver Model
RFF370NFSLA+
RRP: €469.99



Dark Inox Model
RFF370NFDIXA+
RRP: €549.99
Available: June



70cm Fridge Freezer

- Net Fridge Capacity: 304 Litres
- Net Freezer Capacity: 103 Litres
- No Frost Freezer
- Multi Cooling Technology
- LED Lighting
- Super Cooling Mode
- Electronic Control
- 44 dB Max Noise Level
- Stainless Steel
- A+ Energy Rating
- H1730 x W700 x D712mm
- 3 Year Warranty

RF70173RIX

RRP: €699.99

Available: June



No more time
spent on defrosting
your appliance.

Now,
it's automatic!

FREESTANDING REFRIGERATION



55cm Tall Larder Fridge

- Net Fridge Capacity: 250 Litres
- Auto Defrost Fridge
- Safety Glass Shelves
- Reversible Door
- Recessed Handles
- 3 Door Shelves
- Mechanical Control System
- 42dB Max Noise Level
- A+ Energy Rating
- H1440 x W540 x D595mm
- 3 Year Warranty

RTL267WHA+

RRP: €299.99



55cm Tall Freezer

- Net Freezer Capacity: 182 Litres
- 4* Freezer Performance
- Electronic Control System
- Quick Freeze Compartments
- Opaque Freezer Drawers
- Reversible Door
- Recessed Handles
- Freeze Protection up to -15°C
- 41dB Max Noise Level
- A+ Energy Rating
- H1455 x W540 x D595mm
- 3 Year Warranty

RTF247WHA+

RRP: €299.99

NORDMENDE



Image shows RTL397RIXA+ & RTF393NFF



All NordMende products are fully guaranteed for 2 years from date of purchase.

If you register your product online within 30 days of purchase you'll receive an additional 1 year free of charge

Visit www.nordmende.ie for more information



3 Year
NET
Parts
Labour

NORDMENDE

SMART LIVING



Stainless Steel Option
RTL397RIXA+
RRP: €499.99



60cm Tall Larder Fridge

- Net Fridge Capacity: 380 Litres
- Auto Defrost Fridge
- Safety Glass Shelves
- Electronic Control Front Display
- Reversible Door
- Click Handle
- 41dB Max Noise Level
- White or Stainless Steel
- A+ Energy Rating
- H1860 x W598 x D650mm
- 3 Year Warranty

RTL397WHA+

RRP: €449.99



White Option
RTF393NFWHA+
RRP: €549.99



60cm Tall Freezer

- Net Freezer Capacity: 280 Litres
- No Frost Freezer
- 4* Freezer Performance
- Electronic Control Front Display
- Reversible Door
- Click Handle
- Freeze Protection up to -15°C
- 42dB Max Noise Level
- Stainless Steel or White
- A+ Energy Rating
- H1860 x W598 x D650mm
- 3 Year Warranty

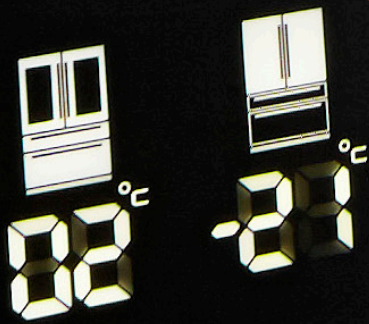
RTF393NFRIXA+

RRP: €649.99



RIXA+

NEW NORDMENDE LARGE REFRIGERATION



q. drink

sensor

s. saver

freezer



LARGE REFRIGERATION



American Fridge Freezer

- Net Fridge Capacity: 334 Litres
- Net Freezer Capacity: 156 Litres
- Plumbed Ice & Water
- Total No Frost Freezer
- Multi Airflow Technology
- Super Freeze Function
- Super Cooling Function
- Inox Look
- A+ Energy Rating
- H1788 x W895 x D745mm
- 3 Year Warranty

RFAMIW490IXLA+  **NO FROST**

RRP: €999.99



French Door Fridge Freezer

- Net Fridge Capacity: 362 Litres
- Net Freezer Capacity: 167 Litres
- Auto Defrost Fridge
- No Frost Freezer
- Telescopic Rails
- Stainless Steel
- A+ Energy Rating
- H1850 x W910 x D763mm
- 3 Year Warranty

RFA90IX  **NO FROST**

RRP: €1,499.99



All NordMende products are fully guaranteed for 2 years from date of purchase.

If you register your product online within 30 days of purchase you'll receive an additional 1 year free of charge



3 Year
NET
Parts
Labour

NORDMENDE

SMART LIVING



Four Door Fridge Freezer

- Net Fridge Capacity: 390 Litres
- Net Freezer Capacity: 170 Litres
- No Frost Freezer
- Multi Cooling Technology
- Electronic Control Display
- Super Freeze Function
- Super Cooling Function
- Holiday Mode
- Stainless Steel
- A+ Energy Rating
- H1850 x W910 x D750mm
- 3 Year Warranty

RF4DRIXA+



RRP: €1,499.99



Four Door Fridge Freezer

- Net Fridge Capacity: 390 Litres
- Net Freezer Capacity: 170 Litres
- No Frost Freezer
- Multi Cooling Technology
- Electronic Control Display
- Super Freeze Function
- Super Cooling Function
- Holiday Mode
- Dark Inox
- A+ Energy Rating
- H1850 x W910 x D750mm
- 3 Year Warranty

RF4DDIXA+



RRP: €1,599.99



**NEW
DARK INOX
RANGE**

VACUUM FRIDGE FREEZER & CHEST FREEZERS



4 Door Vacuum Fridge Freezer

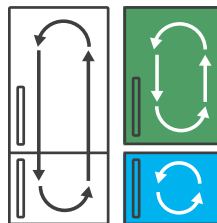
- Net Fridge Capacity: 390 Litres
- Net Freezer Capacity: 170 Litres
- No Frost Freezer
- Multi Cooling Technology
- Vacuum Bag Sealer Technology
- Super Freeze Function
- Super Cooling Function
- Holiday Mode
- Dark Inox
- A+ Energy Rating
- H1850 x W910 x D750mm
- 3 Year Warranty

**NEW
DARK INOX
RANGE**

RF4DVRIXA+



RRP: €1,799.99



MultiCooling technology includes two independent air circulation with two separate fans and evaporators.

MultiCooling provides extra freshness with optimum humidity levels in each compartment, prevents odour mixing, and keeps flavour of foods.

VACUUM



BAG

Prolongs the shelf life of foods and keeps dairy products fresh up to 8 times longer.

Increases life of food by removing oxygen.

Reduces growth of spoilage organisms and bacteria.

Prevents the occurrence of unpleasant odours.

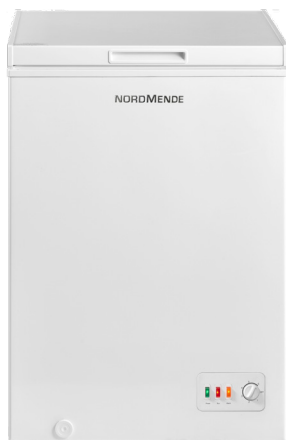




3 Year
NET
Parts
Labour

NORDMENDE

SMART LIVING



99 Litre Chest Freezer

- 4* Chest Freezer
- Counter Balanced Hinge
- Adjustable Thermostat
- Removable Storage Basket
- Freezer Protection up to -15°C
- Suitable for Outbuilding
- Water Drain Plug
- Plastic Ice Scraper Included
- A+ Energy Rating
- H850 x W565 x D523mm
- 3 Year Warranty

CF99WHA+

RRP: €199.99

142 Litre Chest Freezer

- 4* Chest Freezer
- Counter Balanced Hinge
- Adjustable Thermostat
- Removable Storage Basket
- Freezer Protection up to -15°C
- Suitable for Outbuilding
- Water Drain Plug
- Plastic Ice Scraper Included
- A+ Energy Rating
- H850 x W730 x D523mm
- 3 Year Warranty

CF142WHA+

RRP: €229.99

198 Litre Chest Freezer

- 4* Chest Freezer
- Counter Balanced Hinge
- Adjustable Thermostat
- Removable Storage Basket
- Freezer Protection up to -15°C
- Suitable for Outbuilding
- Water Drain Plug
- Plastic Ice Scraper Included
- A+ Energy Rating
- H850 x W945 x D523mm
- 3 Year Warranty

CF198WHA+

RRP: €279.99

NordMende Chest Freezers are marked with *Freezer Protection* where they can operate even if the ambient temperature is as low as -15°C which means it is possible to keep the chest freezer in the garage or shed!



INTEGRATED REFRIGERATION



Integrated U/C Fridge

- Net Fridge Capacity: 133 Litres
- Auto Defrost Fridge
- Reversible Door
- Fixed Hinge
- Safety Glass Shelves
- 1 Vegetable Crisper
- Mechanical Temperature Control
- 44 dB Max Noise Level
- A+ Energy Rating
- H818 x W595 x D548mm
- 3 Year Warranty

RIUL141INMA+

RRP: €329.99

Integrated U/C Freezer

- Net Freezer Capacity: 95 Litres
- 4* Rated Freezer
- Quick Freeze Compartments
- Reversible Door
- Fixed Hinge
- 3 Freezer Compartments
- Mechanical Temperature Control
- 44 dB Max Noise Level
- A+ Energy Rating
- H818 x W595 x D548mm
- 3 Year Warranty

RIUF101NMA+

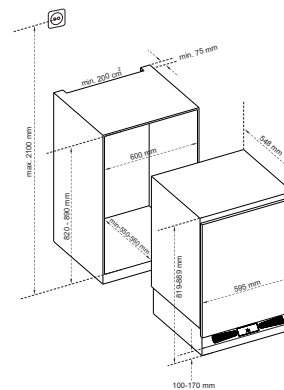
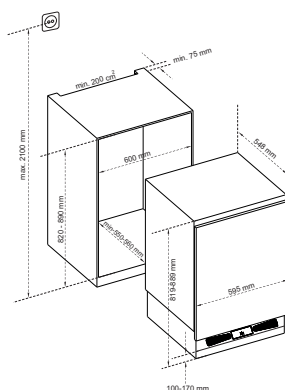
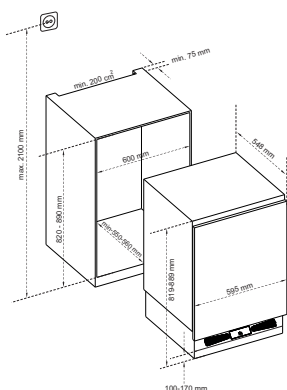
RRP: €379.99

Intgd U/C Fridge with Ice Box

- Net Fridge Capacity: 98 Litres
- 4* Freezer Box: 17 Litres
- Auto Defrost Fridge
- Mechanical Temperature Control
- Reversible Door
- Fixed Hinge
- Safety Glass Shelves
- 39 dB Max Noise Level
- A+ Energy Rating
- H818 x W540 x D548mm
- 3 Year Warranty

RIUI161NMA+

RRP: €349.99





Intgd Fridge with Ice Box

- Net Fridge Capacity: 106 Litres
- 4* Freezer Box: 17 Litres
- Auto Defrost Fridge
- Reversible Door
- Sliding Hinge
- 2 Crisper Drawers
- Mechanical Temperature Control
- 41 dB Max Noise Level
- A+ Energy Rating
- H875 x W540 x D545mm
- 3 Year Warranty

RII880A+

RRP: €319.99



Integrated Larder Fridge

- Net Fridge Capacity: 204 Litres
- Auto Defrost Fridge
- Reversible Door
- Sliding Hinge
- Safety Glass Shelves
- 2 Vegetable Drawers
- Mechanical Temperature Control
- 39 dB Max Noise Level
- A+ Energy Rating
- H1225 x W540 x D545mm
- 3 Year Warranty

RIL1232A+

RRP: €449.99



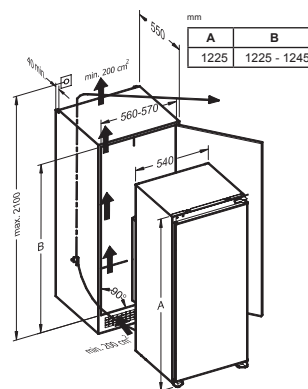
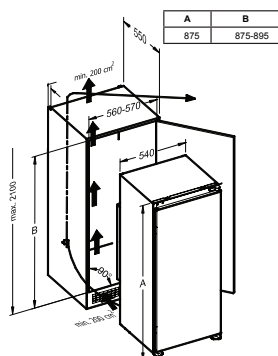
Intgd Fridge with Ice Box

- Net Fridge Capacity: 175 Litres
- 4* Freezer Box: 17 Litres
- Reversible Door
- Sliding Hinge
- Safety Glass Shelves
- 2 Vegetable Drawers
- Mechanical Temperature Control
- 42 dB Max Noise Level
- A+ Energy Rating
- H1225 x W540 x D545mm
- 3 Year Warranty

RII1232A+

RRP: €469.99

Not Suitable for Undercounter Installation



INTEGRATED REFRIGERATION

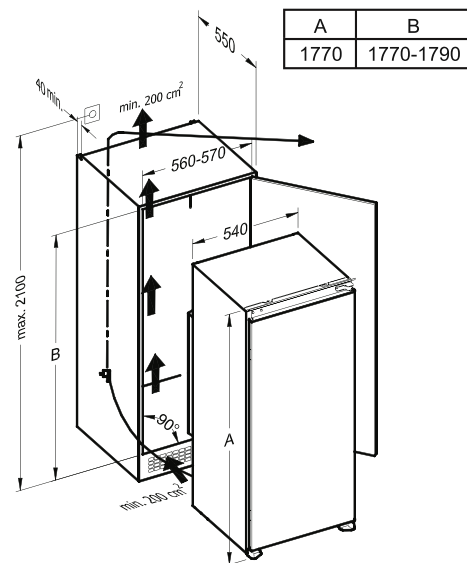


Integrated Tall Larder Fridge

- Net Fridge Capacity: 300 Litres
- Auto Defrost Fridge
- Turbo Fan Air Cooling
- Humidity Controller
- Safety Glass Shelves
- 2 Vegetable Drawers
- Reversible Door
- Sliding Hinge
- A+ Energy Rating
- H1770 x W540 x D545mm
- 3 Year Warranty

RITL397A+

RRP: €569.99



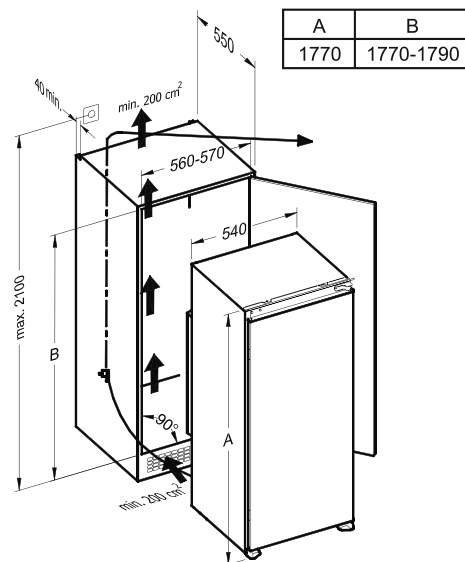
Integrated Tall Freezer

- Net Freezer Capacity: 197 Litres
- No Frost Freezer
- 4* Freezer Performance
- 6 Compartments + 2 Flap
- Opaque Freezer Drawers
- LED Lighting
- Reversible Door
- Sliding Hinge
- A+ Energy Rating
- H1770 x W540 x D545mm
- 3 Year Warranty

RITF393ANF+



RRP: €629.99





3 Year
NET
Parts
Labour

NORDMENDE

SMART LIVING

50:50 Integrated Fridge Freezer



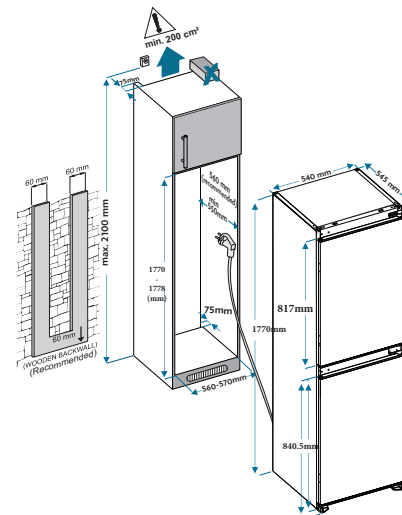
- Auto Defrost Fridge
- Safety Glass Shelves
- Reversible Doors
- Sliding Hinge
- A+ Energy Rating
- H1770 x W540 x D545mm
- 3 Year Warranty

Static Version

- Net Fridge Capacity: 148 Litres
- Net Freezer Capacity: 94 Litres

No Frost Version

- Net Fridge Capacity: 147 Litres
- Net Freezer Capacity: 86 Litres
- Wine Rack Included



RIFF50503NMA+

RRP: €499.99

RIFF50502NF



RRP: €579.99

70:30 Integrated Fridge Freezer



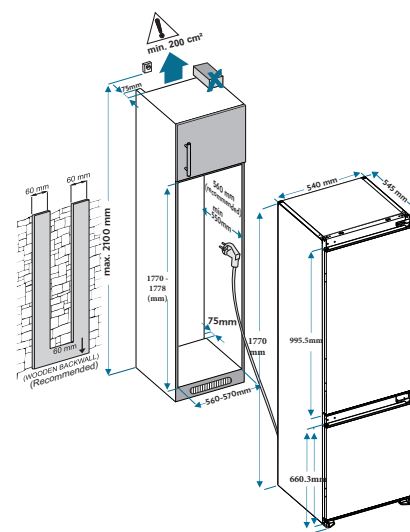
- Auto Defrost Fridge
- Safety Glass Shelves
- Reversible Doors
- Sliding Hinge
- A+ Energy Rating
- H1770 x W540 x D545mm
- 3 Year Warranty

Static Version

- Net Fridge Capacity: 181 Litres
- Net Freezer Capacity: 70 Litres

No Frost Version

- Net Fridge Capacity: 180 Litres
- Net Freezer Capacity: 63 Litres
- Wine Rack Included



RIFF70302NMA+

RRP: €499.99

RIFF70302NF



RRP: €579.99



FREESTANDING DISHWASHERS



45cm Dishwasher

- 4 Programmes
- 10 Place Settings
- 11 Litre Water Consumption
- 3-6-9 Hour Start Delay
- Adjustable Top Basket
- Overflow & Leakage Protection
- 49 dB Max Noise Level
- A++ Energy Rating
- White
- 3 Year Warranty

DW48WH

RRP: €299.99



60cm Dishwasher

- 4 Programmes
- 12 Place Settings
- 12 Litre Water Consumption
- 3-6-9 Hour Start Delay
- Adjustable Top Basket
- Overflow & Leakage Protection
- 49 dB Max Noise Level
- A++ Energy Rating
- White
- 3 Year Warranty

DW641WH

RRP: €299.99



All NordMende dishwashers have a decibel level of 49 or lower.

This means that our dishwashers are more discreet and peaceful than a quiet office.



NordMende dishwashers contains a feature called overflow and leakage protection.

This detects potential problems with the water supply and automatically drains the water in the event of a problem.

Image shows
DWLD632IX Dishwasher

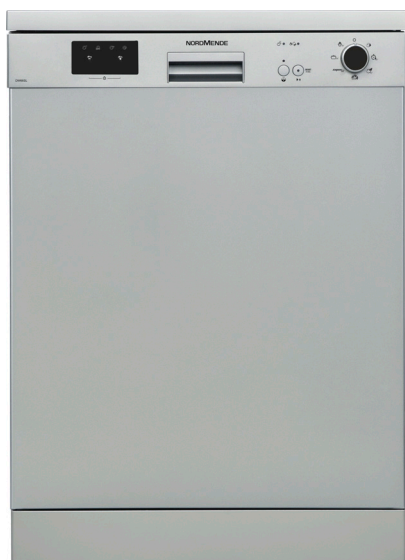


Official Sponsor

3 Year
NET
Parts
Labour

NORDMENDE

SMART LIVING



 **THIRD RACK**



60cm Dishwasher

60cm Dishwasher

60cm Dishwasher

- 7 Programmes
- 12 Place Settings
- 12 Litre Water Consumption
- 1-19 Hour Start Delay
- Adjustable Top Basket
- Overflow & Leakage Protection
- LED Display
- 49 dB Max Noise Level
- A++ Energy Rating
- Silver or Black
- 3 Year Warranty

- 7 Programmes
- 12 Place Settings
- 12 Litre Water Consumption
- 1-19 Hour Start Delay
- Adjustable Top Basket
- Overflow & Leakage Protection
- LED Display
- 49 dB Max Noise Level
- A++ Energy Rating
- Dark Inox or Stainless Steel
- 3 Year Warranty

- 10 Programmes
- 14 Place Settings
- 9 Litre Water Consumption
- 1-23 Hour Start Delay
- Extra Drying Function
- Adjustable Top Basket
- Water Box Technology: 5.5L Eco Water Programme
- Half Load Option
- Auto Door Technology
- A+++ (-20%) Energy Rating
- 3 Year Warranty

DW66SL

DW66DIX

NEW DARK INOX RANGE

DWLD632IX

RRP: €329.99

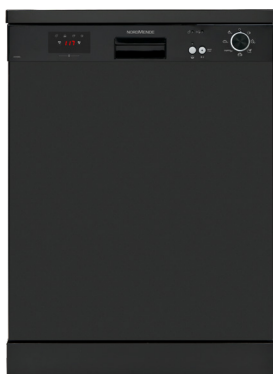
RRP: €379.99

RRP: €499.99

Also Available in Black

DW66BL

RRP: €329.99



Also Available in Stainless Steel

DW66IX

RRP: €349.99

Available: June



 **HALF LOAD**

NordMende's eco-friendly technology saves energy and reduces water consumption while still ensuring a top class performance when you select the half load option.

INTEGRATED DISHWASHERS



Image shows
DFSN65 Dishwasher

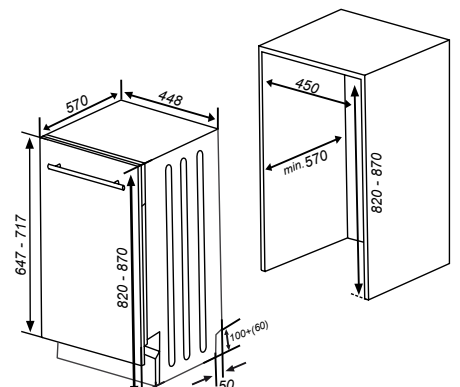


45cm Integrated Dishwasher

- 3 Programmes
- 10 Place Settings
- 11 Litre Water Consumption
- 3-6-9 Hour Start Delay
- Adjustable Top Basket
- Overflow & Leakage Protection
- Salt & Rinse Aid Indicator
- 49 dB Max Noise Level
- A++ Energy Rating
- H820 x W450 x D550mm
- 3 Year Warranty

DF451

RRP: €399.99





3 Year
NET
Parts
Labour

NORDMENDE

SMART LIVING



60cm Integrated Dishwasher

Semi-Integrated Dishwasher

60cm Integrated Dishwasher

- 4 Programmes
- 12 Place Settings
- 12 Litre Water Consumption
- Adjustable Top Basket
- Overflow & Leakage Protection
- Mini-Active Drying
- Salt & Rinse Aid Indicator
- 49 dB Max Noise Level
- A++ Energy Rating
- H820 x W600 x D550mm
- 3 Year Warranty

- 4 Programmes
- 12 Place Settings
- 12 Litre Water Consumption
- 3-6-9 Hour Start Delay
- Adjustable Top Basket
- Overflow & Leakage Protection
- Mini-Active Drying
- Salt & Rinse Aid Indicator
- 49 dB Max Noise Level
- A++ Energy Rating
- H820 x W600 x D570mm
- 3 Year Warranty

- 8 Programmes including 3 Auto Programmes
- 15 Place Settings
- 12 Litre Water Consumption
- 3-6-9 Hour Start Delay
- Adjustable Top Basket
- Overflow & Leakage Protection
- Salt & Rinse Aid Indicator
- 45 dB Max Noise Level
- A++ Energy Rating
- H820 x W600 x D550mm
- 3 Year Warranty

DF62

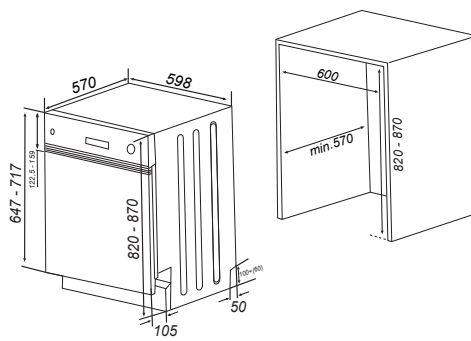
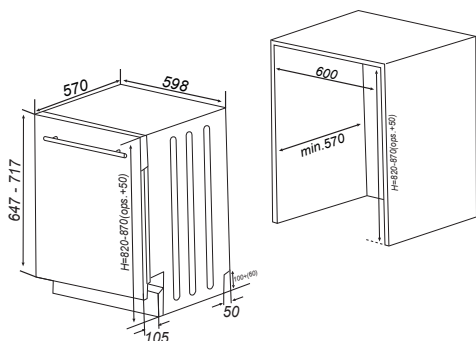
DSSN62IX

DFSN65

RRP: €379.99

RRP: €449.99

RRP: €499.99



All NordMende dishwashers are A++ energy rated.

The better the rating is, the less money it will cost to run throughout the year.

FREESTANDING WASHING MACHINES



Image shows
WM1277BL Washing Machine



3 Year
NET
Parts
Labour

NORDMENDE

SMART LIVING



5kg Washing Machine

- 5kg Capacity
- 15 Programmes
- Max Spin Speed 1000 rpm
- Electronic Control System
- 15 Minute Quick Wash
- Child Lock
- Washing Cycle Indicator
- 3-6-9-12 Hour Start Delay
- A++ Energy Rating
- White
- 3 Year Warranty

WM1003WH

RRP: €249.99

Also Available in 6kg Capacity

WM1065WH

RRP: €269.99



6kg Washing Machine

- 6kg Capacity
- 15 Programmes
- Max Spin Speed 1200 rpm
- Electronic Control System
- 15 Minute Quick Wash
- Child Lock
- Washing Cycle Indicator
- 3-6-9-12 Hour Start Delay
- A++ Energy Rating
- White
- 3 Year Warranty

WM1265WH

RRP: €279.99



7kg Washing Machine

- 7kg Capacity
- 15 Programmes
- Max Spin Speed 1200 rpm
- Electronic Control System
- 15 Minute Quick Wash
- Child Lock
- Washing Cycle Indicator
- 3-6-9-12 Hour Start Delay
- A++ Energy Rating
- White, Silver or Black Options Available
- 3 Year Warranty

WM1277SL

RRP: €329.99

Black Model

WM1277BL

RRP: €329.99



White Model

WM1277WH

RRP: €299.99



FREESTANDING WASHING MACHINES



7kg Washing Machine

- 7kg Capacity
- 15 Programmes
- Max Spin Speed 1400 rpm
- Electronic Control System
- 15 Minute Quick Wash
- Child Lock
- Washing Cycle Indicator
- 3-6-9-12 Hour Start Delay
- A++ Energy Rating
- White
- 3 Year Warranty

WM1477WH

RRP: €329.99



8kg Washing Machine

- 8kg Capacity
- 15 Programmes
- Max Spin Speed 1200 rpm
- Electronic Control System
- 15 Minute Quick Wash
- Child Lock
- Washing Cycle Indicator
- 3-6-9-12 Hour Start Delay
- A++ Energy Rating
- White
- 3 Year Warranty

WM1280WH

RRP: €349.99



8kg Washing Machine

- 8kg Capacity
- 15 Programmes
- Max Spin Speed 1400 rpm
- Electronic Control System
- 15 Minute Quick Wash
- Child Lock
- Washing Cycle Indicator
- 3-6-9-12 Hour Start Delay
- A++ Energy Rating
- Dark Inox
- 3 Year Warranty

WM1480DIX

RRP: €399.99

Available: June

**NEW
DARK INOX
RANGE**



This safety feature allows you to lock the buttons on the control panel so that children cannot accidentally change the setting of your appliance when it's on, giving you piece-of-mind with your washing machine.



With the NordMende Rapid 15 programme you can wash your slightly stained, cotton, coloured and textiles within only 15 minutes.

If you have 15 minutes to spare, you can wash & go.



3 Year
FREE
Parts
& Labour

NORDMENDE

SMART LIVING



9kg Washing Machine

10kg Washing Machine

- 9kg Capacity
- 15 Programmes
- Max Spin Speed 1200 rpm
- Electronic Control System
- 15 Minute Quick Wash
- Child Lock
- Washing Cycle Indicator
- 3-6-9-12 Hour Start Delay
- A++ Energy Rating
- White
- 3 Year Warranty

- 10kg Capacity
- 15 Programmes
- Max Spin Speed 1400 rpm
- Electronic Control System
- 15 Minute Quick Wash
- LED Display
- Temperature & Spin Adjustment
- Easy Iron Setting
- 1-23 Hour Start Delay
- A+++ Energy Rating
- 3 Year Warranty

All NordMende products are fully guaranteed for 2 years from date of purchase.

If you register your product online within 30 days of purchase you'll receive an additional 1 year free of charge

WM1297WH

WM14100WH

RRP: €369.99

RRP: €399.99



TUMBLE DRYERS & WASHER DRYERS



7kg Vented Dryer

- 7kg Capacity
- 16 Programmes
- LED Display
- Anti-Crease Drying
- Delicate Function
- Child Lock
- 3-6-9 Hour Start Delay
- C Energy Rating
- White
- 3 Year Warranty

TDV70WH

RRP: €229.99



If you do not take out your laundry after the programme has ended, the anti-crease phase will automatically be activated after 1 hour.

This programme rotates the drum at regular intervals to prevent creases in your clothes.



8kg Condenser Dryer

- 8kg Capacity
- 15 Programmes
- Dry Finishing Options
- Sensor Drying
- Anti-Crease Drying
- Delicate Function
- 3-6-9 Hour Start Delay
- Child Lock
- B Energy Rating
- Dark Inox or White
- 3 Year Warranty

**NEW
DARK INOX
RANGE**

TDC80DIX Available: June

RRP: €379.99

White Model
TDC80WH
RRP: €329.99



9kg Condenser Dryer

- 9kg Capacity
- 15 Programmes
- Dry Finishing Options
- Sensor Drying
- Anti-Crease Drying
- Delicate Function
- 3-6-9 Hour Start Delay
- Child Lock
- B Energy Rating
- White
- 3 Year Warranty

TDC90WH

RRP: €369.99



NordMende's condenser tumble dryers have sensor drying technology.

The dryers use humidity sensors to work out if the load is dry or not, once dry the cycle will finish!



Official Sponsor

3 Year
NET
Parts
Labour
Warranty

NORDMENDE

SMART LIVING



7kg/5kg Washer Dryer

- 7kg Wash Capacity
- 5kg Dry Capacity
- 15 Programmes
- Max Spin Speed 1400 rpm
- 33 Min Wash & Dry
- Child Lock
- 1-23 Hour Start Delay
- B Energy Rating
- Silver or White
- 3 Year Warranty

WD1475WH (White)

RRP: €499.99

WD1475SL (Silver)

RRP: €549.99

INTEGRATED LAUNDRY

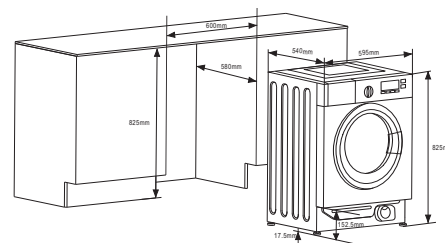


7kg Washing Machine

- 7kg Capacity
- 16 Programmes
- Max Spin Speed 1400 rpm
- 15 Minute Quick Wash
- Child Lock
- 24 Hour Start Delay
- A+++ Energy Rating
- H825 x W595 x D540mm
- 3 Year Warranty

WMI1470WH

RRP: €469.99

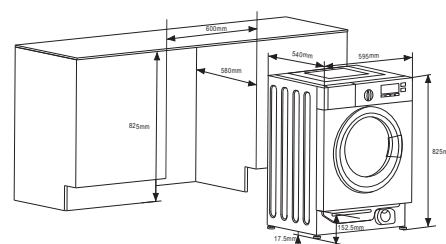


8kg/6kg Washer Dryer

- 8kg Wash Capacity
- 6kg Dry Capacity
- 16 Programmes
- Max Spin Speed 1400 rpm
- 1 Hour Wash & Dry
- Child Lock
- 24 Hour Start Delay
- A Energy Rating
- H815 x W595 x D565mm
- 3 Year Warranty

WDI860WH

RRP: €599.99



CUSTOMER SERVICE





Customer Service

That puts you first every time.

All NordMende appliances are built to last, harnessing the very best of technology. And with a 3 Year Parts & Labour warranty on nearly all the appliances featured in this brochure* you can look forward to a trouble-free life with NordMende.

At NordMende, the quality of our after-sales service is just as important to us as the quality of our products. Naturally, if you choose an appliance supplied by us you will be able to rely upon your appliance to provide you with many years of loyal service and devotion to duty. However, in the event of a problem, you can feel secure in the knowledge that our experienced repair team are dedicated to ensuring an outstanding after sales service for you.

Our after-sales service team are committed to developing an outstanding customer journey experience for you and whatever your preference, we will keep you updated via telephone calls, email or text regarding your products' repair journey. We are based right here in the Republic or Ireland with a network of engineers nationwide at your convenience.

*Register To Receive Your Free 3 Year Warranty

All NordMende household appliances are fully guaranteed for 2 years from the date of purchase. If you register online or with our customer service team within 30 days of purchase you will receive an additional 1 year free - so 3 years in total.

Your warranty covers major parts only and excludes microwaves and televisions which carry a 1 year parts and labour warranty.

Please retain your original proof of purchase to secure your warranty guarantee.



How To Register?

Please register online at www.nordmende.ie/warranty-registration

Before registering, please have the following information:

1. Serial number
2. Date of purchase
3. Place of purchase
4. Your full name, address and contact telephone number

Aftersales Service

Please contact us online at www.nordmende.ie/contact or call our advisor on **01 4136400**.

Before contacting us please have the following information:

1. Serial number
2. The phone number the product was registered against
3. Fault details

NordMende Warranty Conditions:

- The Guarantee covers the appliance for use in a normal domestic environment. Institutional or commercial use is not covered.
- The appliance has been correctly installed and used only on the electricity or gas supply stated on the appliance rating plate.
- All Gas appliances must by law be fitted by a Registered Gas Installer
- The appliance has been used in accordance with the manufacturers operating and maintenance guidelines.
- The appliance has not been serviced or tampered with by an unauthorised NordMende service engineer.
- Registration can only be confirmed by entering the products valid serial number.- see our website for instructions on where on your appliance you can locate the serial number.

Your NordMende Warranty Does Not Cover:

- Damage or as a result of transportation, improper use or neglect.
- Complaints due to the use of incorrect voltage.
- Failure of the water supply.
- Failure of the electricity supply.
- Failure to operate the appliance in line with the guidelines set out in the instruction manual.
- Replacement of consumable items. E.g. Fuses, bulbs, broken glass, knobs
- Replacement of any cosmetic parts including ceramic hob glass and all appliance doors
- Replacement of any accessories such as oven trays
- Any service calls as a result of lack of maintenance of the appliance, e.g. filter blockages, drainage systems, soap dispensers etc.
- Appliances found to be used in a commercial environment